



PRODUCT CATALOGUE

FULL RANGE

PRODUCT EXPERTISE
THERAPEUTIC SOLUTIONS
SERVICE EXPERTISE



2022/2023

WIN  CARE

Transforming healthcare solutions for people with limited mobility and caregivers at risk of injury. Recognised globally for elite, transformative healthcare solutions designed to support user independence, while protecting caregivers and our environment.

Choosing the right product to suit your needs

-  **Ergonomically designed**
-  **Simple maintenance**
-  **Safe to use**
-  **Hygienic**
-  **Improves wellbeing**
-  **Warranty**

Contents

Bathing

- Mangar Bathing Cushion
- Mangar Archimedes
- Mangar Surfer Bather
- Triton Hygiene Chair
- Shower Trolley

Lifting

- Mangar ELK Lifting Cushion
- Mangar Camel Lifting Cushion
- Mangar Eagle Lifting Cushion
- Mangar Swift Transfer Slide
- Slings
- Mangar Rhino Lifting Cushion
- Winn'Motion
- Solar Mobile Lifter
- Stellar 170 Stand Aid
- Luna Ceiling Hoist

Bedroom

- Medical Beds
- Mangar Pillowlifts
- Mangar Leglifter
- Ekamove
- Dynamic Mattresses
- Static mattresses



PRODUCT EXPERTISE

THERAPEUTIC SOLUTIONS

SERVICE EXPERTISE



BATHING

Support for people with limited mobility to get in and out of the bath. In addition to maintaining personal hygiene, a bath can be beneficial to promote a feeling of relaxation and ease pain in joints caused by conditions such as arthritis.

Using the correct bathing equipment enables a more dignified process, reducing the number of carers required and, in cases where the equipment can be used solely by the individual, allows bathing to be an independent and private activity. By putting safety and ease of use at the forefront, these products significantly reduce the risk of slips, falls and getting stuck in the bath.

Mangar Bathing Cushion

Safe and simple to operate, the Bathing Cushion allows the user to lie flat in the bath, fully submerged. It can also be fitted and removed within seconds to allow a more flexible environment for shared bathrooms.

Mangar Archimedes Bath Lift

The Archimedes bath lift lowers a person into a bath, reducing the amount of moving and handling required from a carer, and also allows independent use. It separates in pieces for easy removal and cleaning.

Mangar Surfer Bather

Offering a safe way of transferring a child in and out of the bath, the Surfer Bather holds the child securely in the seat allowing them to be fully submerged whilst reducing the risk of injury to the parents and carers.

In addition to maintaining personal hygiene, a bath can be beneficial to promote a feeling of relaxation and ease pain in joints caused by conditions such as arthritis.





MANGAR Bathing Cushion

The Bathing Cushion is used to help someone who has difficulty getting in and out of the bath.

EASY TO FIT

- Fitted and removed within seconds
- Some air can be left in the backrest for greater levels of comfort
- The design adapts to the size and shape of the bath, so no expensive bathroom alterations are required

SIMPLE TO MAINTAIN

- Lightweight and portable, it can be removed and cleaned with ease
- Rinse with clean water after each bath and leave it to dry inflated
- Compact and easy to store
- The material is designed to exceptionally high standards with extraordinary durability, strength & performance in the toughest of environments

SAFE TO USE

- Only lowers a person into the bath if there is enough battery power to raise them back out again
- Battery operated – no electric cables
- Fully waterproof hand control (IP67)

IMPROVES WELL-BEING

- Perfect for a person who has difficulty getting in and out of the bath
- The cushion deflates allowing the user to lie flat in the bath, fully covered in water so benefiting from the therapeutic properties of bathing
- The user can take the bathing cushion away with them when travelling
- Can be removed from the bath when not in use so enabling a more flexible environment for shared bathrooms

TECHNICAL SPECIFICATIONS

Max user weight	150 kg
Max height	40 cm
Min height	Flat
Seat depth	44 cm
Width	58 cm
Total product weight	2 kg
Back/headrest length	33 cm
Airflo Compressor	12
Lifting performance per charge	Up to 8 lifts (4 bathing cycles)



Product code: MPCA030520

Features

- 1. The air inlet valve can be rotated** allowing the hose to be led to the appropriate corner.
- 2. Pass the air hose through the loop in the corner of the backrest** on the side that you propose getting in and out of the bath.
- 3. Made with a durable, anti-microbial material.**

- 4. Strong suckers** ensure the bathing cushion doesn't move in the bath.
- 5. Safety feature** which ensures there is enough charge to lift user out of bath.
- 6. Seams joined by high frequency welding** for air tight construction

Accessories

- **Airflo 12 Compressor**



Scan me



MANGAR Archimedes Bath Lift

The Archimedes Bath Lift will lower a person into a bath, on a fixed position seat, using a battery powered hand control.

EASY TO FIT

- Simple to fit – separates into three pieces, making it portable and lightweight
- Fits further back in the bath to maximise leg room and to avoid most bath handles and anti-slip coatings
- Unique 4 way quick release suckers make removing the Bath Lift simple – reducing strain on your back

SIMPLE TO MAINTAIN

- The easy to clean steel base unit has been designed with a structure that maintains strength whilst reducing weight
- No LOLER test required for two years
- Separate parts can be removed and cleaned with ease

SAFE TO USE

- Unique flexible flaps that bend on contact with an obstruction
- Bath flaps have an anti-pinch design, eliminating the risk of skin being trapped between the seat and the flap on transfer
- Only lowers a person into the bath when there is sufficient battery power to raise them back out again

IMPROVES WELL-BEING

- Bathing can reduce pain and promote a feeling of well-being
- Equipment will reduce the amount of moving and handling required from a carer
- Can be removed from the bath so enabling a more flexible environment for shared bathrooms

TECHNICAL SPECIFICATIONS

Max user weight	165 kg
Max height	45 cm
Min height	8 cm
Seat depth	44.5 cm
Total length	61 cm
Width (ex side flaps)	39.5 cm
Width of side flap	17 cm
Total product weight	10 kg
Back/headrest length	66.5 cm



Product code: LAA3702A

Features

- Two anti-pinch transfer flaps**
- Sealed Hand Control** with a handset which has easily visible control buttons
- Release the transit tie** by pulling up the 'O' ring and lifting the ball clear of the slot in the locating collar on the actuator.

- Battery powered by actuator**
- Strong suckers** which keeps the Archimedes in place whilst bathing
- Safety feature** which ensures there is enough charge to lift user out of bath.

Accessories

- Archimedes Spare Pack
- Archimedes Hand Control
- Archimedes Charger
- Archimedes Side Flap Protector Set



Scan me



MANGAR Surfer Bather

The Surfer Bather is a safe way of securely transferring a child in and out of the bath.

EASY TO FIT

- Fits into a bath by securing the base board suction cups firmly to the bath
- Elevates and lowers the child at the touch of a button
- Adjustable backrest and seat
- Adjustable pommel available

SIMPLE TO MAINTAIN

- Can be removed and cleaned with ease
- Rinse with clean water after each bath and leave it to dry inflated

SAFE TO USE

- Holds the child securely in the seat during the transfer into and out of the bath

- Includes side rails and leg straps for additional safety
- Fully waterproof hand control (IP67)
- Battery operated – no electric cables

IMPROVES WELL-BEING

- Perfect for parents and carers who struggle to lift a child into and out of the bath
- Bath time is a fun part of the day for both child and parent
- Lowers the child right to the bottom of the bath so they are completely covered in water and benefit from the therapeutic properties of bathing
- Remove from the bath when not in use to enable a more flexible environment for shared bathrooms

TECHNICAL SPECIFICATIONS

Max user weight	50 kg
Max user height	135 cm
Max height	48 cm
Min height	8.5 cm
Seat depth	62 cm
Total length	112 cm
Width (max-min)	67.5 cm 37 cm
Total product weight	8.7 kg
Backrest angle adjustment	Flat to 70°
Back/headrest length	56 cm
Airflo Compressor	12
Lifting performance per charge	Up to 20 lifts



Product code: MPCA040500

Features

1. Scissor lift (including bellows and base board)
2. Backrest (including headrest pad)
3. Platform pad with rails
4. Support straps

5. The backrest and the platform pad are secured to the platform by means of plastic lugs inserted into the keyhole slots.
6. Material is machine washable

Accessories

- Surfer Bather Platform Pad
- Pommel for Surfer Bather
- Head Support (Horseshoe)
- Surfer Bather Strap with Velcro



Scan me



Product code: 044-00050

Triton Hygiene Chair

The Triton Hygiene Chair is a new and improved powered, height adjustable, tilt-in-space shower commode chair.

BETTER WORKING ENVIRONMENT

- Correct working posture eliminates strain and stress on the caregiver's back, shoulders and knees.
- The height adjustment allows an optimal positioning of the chair, ensuring a correct working posture for the care giver.

INCREASED COMFORT

- With the electrical seat tilt and adjustable backrest, the Triton Dual makes it easy for the user to find the most comfortable sitting position.
- The lift height of 40 cm helps both the caregiver and the user.

EASY TO CLEAN

- Developed from the Easy-Clean principle, which means there are no small corners or edges. The chair has closed screws/joinings and fully welded steel, which prevents water from entering the pipes. It is also treated with double coating which makes it rust resistant.
- IPx6W rated: Can be cleaned in washing machines up to 250 times due to LINAK IPX6 Washable DURA™ (50 washes is standard).

IMPROVES INDEPENDENCE

- For the user, the height adjustment means increased independence; it is possible to adjust the chair, so the user can reach the sink and look in the mirror - therefore the user can help take care of his own personal hygiene.

TECHNICAL SPECIFICATIONS

Max user weight	150 kg
Distance btw. arm rest	468 mm
Seat depth	430 mm
Seat width	460 mm
Seat height	544-943 mm
Total width	572 mm
Length	996-1294 mm
Total height (w/o head rest)	886-1540 mm
Weight	41 kg
Tilt angle	+7 to -30°
IP class	IPx6W
Charging time	6 hours
Battery capacity	80-100 lifting cycles



Product code: C4300

Shower Trolley

The Shower Trolley provides a comfortable experience for both the user and carer.

COMFORT

- Padded PVC polyester, caribbean green, 2 cm thick, secured on a water-repellent compact top.
- The variable height from 52 to 88 cm enables the caregiver to work in an ideal position, avoiding the risk of lumbar pain.
- Foam padding

SAFETY

- ABS base protector
- Centralised braking option with 4 x 125 mm castors, incl. 1 directional
- Ground clearance 13 cm, or 15 cm with centralised braking
- For patients up to 155 kg
- The 20 cm high protective side rails guarantee complete safety for patients

CONVENIENT

- Slightly sloping base board for good water evacuation
- Hydraulic variable height that can be operated by a side pedal on both sides
- Head and foot push bars
- Thermoformed clothes basket, at the head of the trolley
- Retractable epoxy profiled side rails
- Pluggable drain outlet. Outlet pipe can be attached to be the side of the base board
- 185 cm outlet pipe, 0.4 cm
- 71.5 cm wide legs for improved stability

TECHNICAL SPECIFICATIONS

Dimensions	74 x 198 cm
Base board	1.78 m x 60 cm
Side rails	1.40 m x 20 cm
Weight	85 kg
Normal load in use	170 kg patient 155 kg accessories 15 kg

LIFTING – POST-FALL MANAGEMENT AND TRANSFERS

Suitable lifting equipment is essential for facilitating safe and timely transfers for the individual whilst maintaining carer safety.

Work-related musculoskeletal disorders account for a significant number of lost workdays, often caused by repetitive lifting over time, and utilising assistive equipment can drastically reduce the risk of injury. The risks to a patient are also decreased, for example, a considerable number of complications from lying on the floor for a long time, including pressure sores and dehydration.

The following is a guide to use of lifting equipment, but an individual risk assessment for each resident is essential in order to tailor care appropriately.

Lifting cushions

Regular falls can cause a further fear of falling, resulting in a reduction of activity if not handled safely and in a dignified manner. The Mangar Camel, ELK and Eagle Lifting cushions are light, portable and perfect for frequent fallers.



Stand Aid

Stand Aids are ideal to move residents who can assist to some extent in a sit to stand transfer. Encouraging the resident to use this piece of equipment while they are still able will promote mobility and independence.



Mobile Hoists

Mobile hoists are ideal for moving residents with no mobility or strength to support their own weight. They are a flexible solution but should not be used to move people long distances. Always assess the environment for space before using.



Ceiling Hoists

As with mobile hoists, ceiling hoists are for moving people with no mobility or strength to support their own weight. They are generally less arduous for a carer to operate than a mobile hoist and are the more suitable for longer distance transfers.

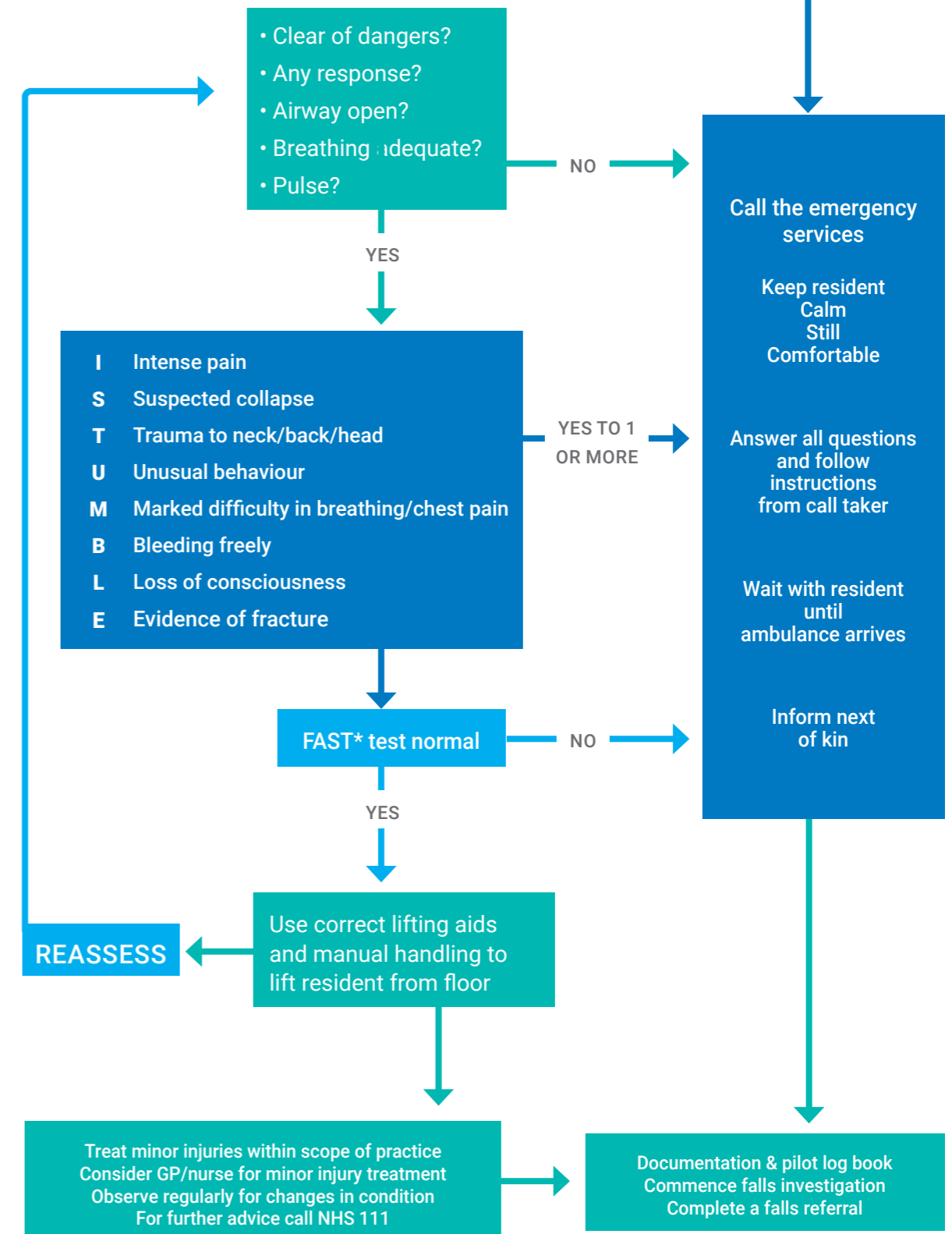


When should you call an ambulance?

The Ambulance Service in the UK issue guidelines on when to call the emergency services.

This one, called ISTUMBLE™, is used by West Midlands Ambulance Service NHS Trust.

Find out more about the ISTUMBLE™ app on page 27





MANGAR ELK Lifting Cushion

The ELK is a lifting cushion designed to lift from the floor.

EASY TO FIT

- Lifting cushion is inflated using an Airflo Compressor with a simple hand control
- Simple to use, requiring very little training
- Suitable for use inside or out
- Can be used by one carer

SIMPLE TO MAINTAIN

- Clean using a proprietary non-abrasive mild liquid cleaner.
- Easy to deflate, fold away and store
- The material is designed to exceptionally high standards with extraordinary durability, strength & performance in the toughest of environments

SAFE TO USE

- Lifts the frailest person up to 980 lbs from the floor
- Exceptionally rigid and stable
- Ideal for carers of individuals with neurological disorders who fall regularly

IMPROVES WELL-BEING

- Provides a safe, dignified lift for a fallen person
- Reduces the risk of musculoskeletal injury for the carer
- Can be used in confined spaces where traditional lifting equipment may not fit

TECHNICAL SPECIFICATIONS

Max user weight	450 kg
Max height	56 cm
Min height	Flat
Seat depth	50 cm
Width	57"
Total product weight	3.6 kg
Airflo Compressor	24
Lifting performance per charge	Up to 9 lifts



Features

1. **4-Way Hand Control.**
2. **Made from very strong polyurethane coated nylon material.**
3. **Remove or keep stability bar** to provide extra comfort for the user.
4. **Can be used to lift a stretcher.**
5. **Easy to setup** - connect the four hoses from the hand control to the corresponding numbers and coloured connectors on the ELK.
6. **Powered by an Airflo 24 Compressor.**

Accessories

- ELK Stretcher Bars
- Slidesheet
- ELK End Cap Set



Product code: MPCA070400



Scan me



MANGAR Camel Lifting Cushion

The Camel Lifting Cushion will both sit up and lift a fallen person.

EASY TO FIT

- Lifting cushion is inflated using an Airflo Compressor with a simple hand control
- Simple to use, requiring very little training
- Suitable for indoor and outdoor use
- Can be used independently or assisted

SIMPLE TO MAINTAIN

- Clean using a proprietary non-abrasive mild liquid cleaner.
- Easy to deflate, fold away and store in the carry bag provided
- Does not need a LOLER certificate
- The material is designed to exceptionally high standards with extraordinary durability, strength & performance in the toughest of environments

SAFE TO USE

- Lifts the frailest person up to 320 kg from the floor
- Stable and supportive
- Ideal for carers of individuals with neurological disorders who fall regularly

IMPROVES WELL-BEING

- Provides a safe, dignified lift for a fallen person
- Reduces the risk of musculoskeletal injury for the carer
- Individuals with a cognitive impairment are less distressed when lifted with a Camel
- The backrest gives additional support and is particularly suitable for bariatric patients

TECHNICAL SPECIFICATIONS

Max user weight	320 kg
Max height	56 cm
Min height	Flat
Seat depth	47 cm
Total length	112 cm
Width	70 cm
Total product weight	6.5 kg
Back/headrest length	81 cm
Airflo Compressor	24
Lifting performance per charge	up to 4 lifts



Features

- 1. Easy to setup** - connect the four hoses from the hand control to the corresponding numbers and coloured connectors on the Camel.
- 2. The head should lie on the Camel badge** and the body should lie centrally.
- 3. The backrest** may be partially inflated before the lower sections.
- 4. Made from very strong polyurethane coated nylon material.**
- 5. Each layer inflates individually** ideal for single-handed care.

Accessories

- Slidesheet
- Camel Carry Bag



Product code: MPCA060400



Scan me



MANGAR Eagle Lifting Cushion

The Eagle lifting cushion will both sit up and lift a fallen person. It has a small footprint and can be used in small spaces such as a bathroom.

EASY TO FIT

- Lifting cushion is inflated using an Airflo Compressor with a simple hand control
- Simple to use, requiring very little training
- Suitable for indoor and outdoor use
- Can be used independently or assisted

SIMPLE TO MAINTAIN

- Clean using a proprietary non-abrasive mild liquid cleaner
- Easy to deflate, fold away and store in the carry bag provided
- Does not need a LOLER certificate
- The material is designed to exceptionally high standards with extraordinary durability, strength & performance in the toughest of environments

SAFE TO USE

- Lifts the frailest person up to 35 stone/ 220 kg from the floor
- Exceptionally rigid and supportive to back
- Ideal for use in supported living apartments and home care

IMPROVES WELL-BEING

- Provides a safe, dignified lift for a fallen person
- Reduces the risk of musculoskeletal injury for the carer
- The backrest gives additional support to raise the person from lying to sitting
- Small footprint is ideal for use in a home environment

TECHNICAL SPECIFICATIONS

Max user weight	220 kg
Max seat height	56 cm
Min height	Flat
Seat depth	57 cm
Total length	112 cm
Width	64 cm
Total product weight	4.5 kg
Back/headrest length	52 cm
Airflo Compressor	24
Lifting performance per charge	up to 6 lifts



Features

- 1. Easy to setup** - connect the four hoses from the hand control to the corresponding numbers and coloured connectors on the Eagle.
- 2. The backrest** provides support to the back and head.
- 3. Made from very strong polyurethane** coated nylon material.
- 4. Each layer inflates individually** ideal for single-handed care
- 5. Sides of the Eagle can be folded up** to allow manoeuvring into tight spaces.

Accessories

- Slidesheet
- Eagle Carry Bag



Product code: HKA0100



SCAN ME



MANGAR Swift Transfer Slide

Transfer and reposition patients in the supine position with minimal moving and handling force needed, while providing a stable, safe experience for the patient.

Maximum user weight: 500kg(78 stone)*

Inflated height (approx): 14cm (5½")

Overall length (approx): 204cm (80")

Overall width (approx): 100cm (39.5")

Weight: 1.5kg (3.5lbs)

Maximum air pressure: 0.14bar (2psi)

Max / Min temperature: +45°C / 5°C

Inflation time: Less than 1 minute
(dependent on user weight)

Material: Polyurethane coated nylon fabric with anti-rip and antimicrobial properties

MANGAR Rhino Lifting Cushion

Lifts a person in the supine position from the floor to the height of a bed or stretcher.

Maximum user weight: 500kg (78 stone)*

Inflated height (approx): 65cm (26")

Overall length (approx): 204cm (80")

Overall width (approx): 112cm (44")

Weight: 7.5kg (16.5lbs)

Maximum air pressure: 0.14bar (2psi)

Max / Min temperature: +45°C / 5°C

Inflation time: 2-3mins
(dependent on user weight)

Material: Polyurethane coated nylon fabric with anti-rip and antimicrobial properties

MANGAR SUPINE TRANSFER SYSTEM

The Mangar Patient Transfer System enables healthcare workers to lift and transfer patients with minimal moving and handling, while providing a stable, safe experience for the patient.

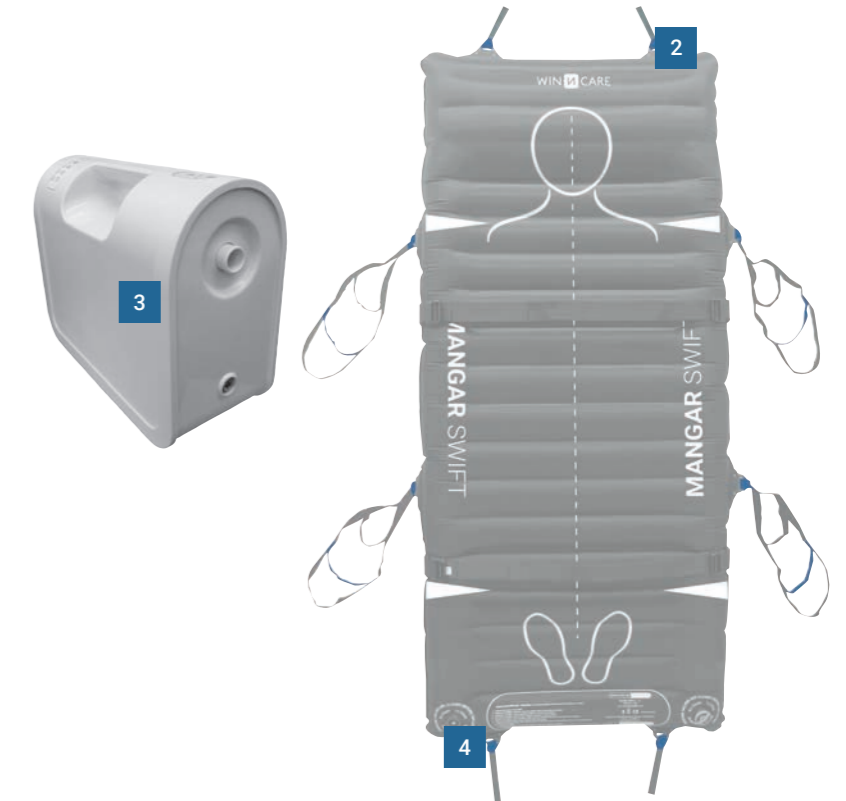
The system consists of the Mangar Rhino Lifting Cushion, the Mangar Swift Transfer Slide, and the Mangar Airflo Duo Compressor.

- Made in the UK
- Mains and battery operated
- Lightweight anti-rip material
- Complete Supine Transfer System weighs under 20kg

Features

- 1. Roller Bag** - Fits the Rhino, Swift, Duo Compressor and Mains Power Supply with a total weight under 20kg.
- 2. Lightweight, durable anti-rip material** - Easy to fold and return to bag after use.
- 3. Mains and battery powered** - Airflo Duo Compressor can be transported easily and used anywhere.
- 4. Patient Markings** - To show optimum position of patient on Rhino and Swift.
- 5. Made in the UK** - For easy and quick servicing and repairs.

*Product has been tested up to 500kg, but an individual risk assessment should be performed for each patient.





Product code: L0900 -UK

Winn'Motion 175

Meets standard en ISO 10535: 2007 for the transfer for people with limited movement by hoist. Winn'Motion model 150 also available.

Key Features and Benefits

- Emergency stop button on the side of the control box.
- Audible signal when the battery is running low.
- Jack with anti-collapse system.
- Jack can be manually released using an ergonomic rotary knob.
- Feet can be manually moved further apart using a pedal system.
- **Light and compact** the Winn'Motion is adapted for use in Care homes and in the home.
- **Easy to transport and store away.**
- **The excellent lifting range allows patients to be lifted from the floor**
- **With a secured 4 point spreader bar** patients can be moved securely and with comfort.

TECHNICAL SPECIFICATIONS

Lifting capacity (SWL)	175 kg
Lifting method	Electrical
Leg spreading method	Manual
Emergency lowering	Manual
Emergency stop	Manual
Total weight	36 kg
Battery capacity	40 lifts
Min. width	650 mm



Product code: 010-01400

Solar 185

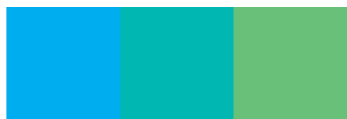
Solar's Scandinavian design with its sweeping elegant lines makes an attractive choice for use at home or in a healthcare environment. Its excellent lifting range allows clients to be lifted from the floor.

Key Features and Benefits

- **Solar's Scandinavian design** with its sweeping elegant lines makes it an attractive choice for home care or institutional use
- **Advanced control system** with emergency stop. The LCD screen shows the condition of the battery, service overview and lifting mode
- **Lift patients from the floor** with an excellent lifting range of 440mm to 1780mm
- **The mobile lift is easy to manoeuvre** thanks to the new ergonomic hand grip design and smooth rolling wheels
- **The system records and shows the number of lifts** performed and also the date of the next service
- **For patients up to 175 kg**
- **3-point spreader bar available**

TECHNICAL SPECIFICATIONS

Lifting capacity (SWL)	185 kg
Lifting method	Electrical
Leg spreading method	Electrical
Emergency lowering	Manual
Emergency stop	Manual
Total weight	50 kg
Battery capacity	40-60 lifts
Min. width	680 mm
Weight heaviest single part	24 kg



Product Code: 011-01610EU

Stellar 170 Stand Aid

Stellar is the new state-of-the-art stand aid. With its elegant Scandinavian design with supreme functionality the Stellar has been developed to move users, who can assist to some extent in a sit to sit transfer.

Key Features and Benefits

- **The lifting and lowering pattern is more natural**, and the user is placed correctly in the chair
- **High-low lift range** from 800 mm to 1600 mm
- **Compact** with a small turning radius of 1060 mm
- **Narrow and stable chassis**, which fits through doors with a width of only 700 mm
- **Electrical leg adjustment** with a maximum width of 920 mm (can be used with both wide chairs and wheel chairs)
- **Easy clean** with smooth surfaces without contours. Easy to wipe over after use
- **Linak control box** and actuator

TECHNICAL SPECIFICATIONS

Lifting capacity (SWL)	170 kg
Lifting method	Electrical
Leg spreading method	Electrical
Emergency lowering	Manual
Emergency stop	Manual
Total weight	51.6 kg
Battery capacity	60-80 lifts
Min. width	700 mm



TRY THE ISTUMBLE APP™

A post falls assessment tool called ISTUMBLE, used by UK ambulance teams, is supporting care home staff to assess fallen residents and make informed decisions around safe lifting, when used with Mangar lifting cushions.

It is part of a continuing initiative to decrease the number of avoidable ambulance callouts to un-injured fallers, which currently costs the NHS over £50 million a year. The health assessment algorithm is supported by a free App and takes users step by step through questions designed to inform decision making. These include;

- I** Intense pain
- S** Suspected collapse
- T** Trauma to neck/back/head
- U** Unusual behaviour
- M** Marked difficulty in breathing/chest pain
- B** Bleeding freely
- L** Loss of consciousness
- E** Evidence of fracture

It also takes the user through the FAST test, enabling the carer to make a judgment on whether an ambulance call out is appropriate. The App can be downloaded from the Google and Apple Stores.



"We are very proud to be involved in another project where we are having a direct impact on safeguarding the lives of care home residents and helping to reduce unnecessary ambulance callouts. This is another great example of how the public and private sector can work hard together and strive to reach our joint goal of creating better healthcare outcomes for all involved."



Simon Claridge, CEO at Winnicare



Luna Ceiling Hoist IPx4

The innovative Luna Ceiling Hoist combines Scandinavian design with excellent functionality, providing a mix of fixed and portable lifting solutions within one device.

Key Features and Benefits

- **Can be used as a fixed or portable hoist** which is a cost effective solution covering a mix of lifting requirements
- **Quick release mechanism** to detach the lift from the track in a matter of seconds –no tools required
- **Hand control** charged through wall mounted docking station and has a secure and reliable mechanism for hooking the hand control to the Luna lift.
- **Patented Ergolet spreader bar and sling hook system** ensuring safe and simple sling attachment. Minimum downward pressure locks the sling hook. Pull upwards to unlock sling hook.
- **Charging indicators** on the hand control including low battery visual LED
- IPx4 means it is safe to use in wet environments allowing for safe transfers in bathrooms
- IPx7 hand control tolerates immersion in water
- Electrical and manual emergency stop with emergency lowering function on both the hand control and Luna unit itself

TECHNICAL SPECIFICATIONS

Lifting capacity (SWL)	200/275 kg
Length of lifting strap	2200 mm
Weight	6.7 kg w/o spreader bar
Measurements	320 x 130 mm
Battery operation	36 V, lead acid batteries
Charging	100 - 240 V, 0,5A.
Chassis Aluminium	Housing High impact, moulded ABS
Noise Lwa during lifting	Lowering without load is 49dB(A)
Lifting speed down	44 mm/sec with 89 kg load/sec with 196 lbs load
Lifting speed up	30 mm/sec with 89 kg load
No. of lifts per charge	50 lifts of 0.5 m with 100 kg

Version	Item No.
LunalPx4/200 kg, portable (strap) – white/grey	015-03020/015-03021
LunalPx4/275 kg, portable (strap) – white/grey	015-03022/015-03023
LunalPx4/200 kg, fixed (bayonet) – white/grey	015-03026/015-03027
LunalPx4/275 kg, fixed (bayonet) – white/grey	015-03028/015-03039
LunalPx4/200 kg, fixed (bayonet), 2 ports – white/grey	015-03032/015-03031
LunalPx4/275 kg, fixed (bayonet), 2 ports – white/grey	015-03034/ 015-03033
LunalPx4/200 kg, room to room – white/ grey	015-03035/ 015-03036
LunalPx4/275 kg, room to room – white/grey	015-03037/ 015-03038

Accessories	Item no.
Hand control IPx4 with cable on top*	015-03105
Hand control IPx4 with cable on bottom*	015-03101
Hand control IPx7	015-03109

Features

- Soft start and stop motor control
- Electrical emergency lowering
- Electrical emergency stop
- Ceiling tracks and Gantry's available
- Low battery indicator (visual LED)
- Charging indicators
- Power on indicators
- Multiple accessories, including scales, easy mover, etc.
- Overload protection
- Emergency brake system
- Can be fixed to existing tracking
- Children cartoon casing also available





Key standard functions

- Extensive range for specific and general use
- Patented sling hooks on all spreader bars
- Easily interchangeable to allow for multiple use
- Can be used on both mobile lifters and ceiling hoists



SPREADER BARS

There is a complete range of spreader bars in various sizes and models to suit all care needs and transfer situations. All spreader bars are equipped with our patented sling hook system.

The two point spreader bar is suitable for a standard transfer. It is available in 3 widths.

There is also the unique V shaped 3-point spreader bar. This increases the distance between the shoulder strap section and the leg strap section, opening up the sling for a more comfortable lift.

In other situations it will be more suitable to use one of our 4-point spreader bar solutions. We have 2 different types.

The largest one being the H-solution with 4 points equally placed from the center for optimal weight distribution. There is a more flexible option also where you use a standard 2 point

spreader bar and then add 2 extra side spreader bars onto the end 2 points.

Then there is a flexible 4 point spreader bar which fits as standard for the width of shoulders and hips.

By using 3-point or one of the 4-point spreader bars, you will have a more open and flexible transfer, which take the clients special needs into consideration.



Mobile Flex

Suitable for people who need an immediate and/or temporary lifting solution that can be easily and simply fitted, used and removed. The Mobile Flex is easy to assemble. No tools are required to adjust the height and width to provide reliable temporary solutions.

Adjusting the height via gas spring is carried out in just a few seconds providing immediate use for the carer and client. The telescopic tracks give enough lifting height to provide solutions that are suitable for most rooms and most transfer situations.

The Mobile Flex is when combined with the innovative Luna ceiling lift, is a simple and functional lifting system and the ideal choice for either home care or institutional use.

The Mobile Flex provides a lifting capacity up to 275kg thus utilizing the full range of the Luna ceiling lift.

Mix and match

Maybe you just need a 2-post system over a bed, or maybe you need full room covering with a 4-post system.

No matter what your needs are, Mobile Flex is your flexible solution, which modular parts can be fitted and combined for your purpose.



2-post system

Height & width adjustable

Only takes 30 minutes to assemble



4-post system

Fully adjustable, room covering and free-standing

Only takes 1 hour to assemble

SLINGS

Practical and comfortable our slings have excellent seating comfort and ensure correct user positioning.

Each sling is colour coded to identify size. Please see our user guide on the opposite page for detailed information.

All of the slings are easily compatible with the Ergolet hook system which are on the spreader bars we also have available.

There are 3 different materials on the slings

- Polyester – Extra durable and easy to clean
- Polyester Net – Suitable especially for bathing
- Nonwoven – For disposable slings



Disposable Comfort Sling



Universal Amputee Sling with extra leg straps

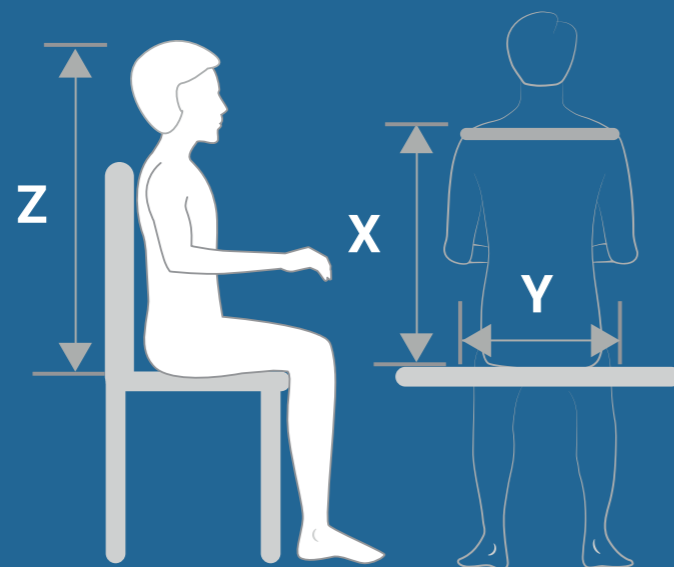


Universal Basic Sling

PRODUCT	PRODUCT CODE	STRAP COLOUR	SIZE	Y	X	Z	SWL	USABILITY	
Universal Basic sling - polyester	009-09803	grey	XS	37	50	-	275 kg	<ul style="list-style-type: none"> • For users with lack of stability of torso. • For transfers from a sitting or lying position. • For transfers in mobile and stationary hoists. 	
	009-09804	red	S	42	55	-	275 kg		
	009-09805	yellow	M	48	66	-	275 kg		
	009-09806	green	L	52	75	-	275 kg		
	009-09807	blue	XL	68	75	-	400 kg		
	009-09808	black	XXL	78	75	-	400 kg		
Universal Basic sling - polyester mesh	009-09813	grey	XS	37	37	-	275 kg		
	009-09814	red	S	42	42	-	275 kg		
	009-09815	yellow	M	48	48	-	275 kg		
	009-09816	green	L	52	52	-	275 kg		
	009-09817	blue	XL	68	68	-	400 kg		
	009-09818	black	XXL	78	78	-	400 kg		
Universal Basic sling, with head support - polyester	009-09823	grey	XS	37		75	275 kg		<ul style="list-style-type: none"> • For users with lack of stability of torso. • For transfers from a sitting or lying position. • For transfers in mobile and stationary hoists.
	009-09824	red	S	42		80	275 kg		
	009-09825	yellow	M	48		91	275 kg		
	009-09826	green	L	52		100	275 kg		
	009-09827	blue	XL	68		100	400 kg		
	009-09828	black	XXL	78		100	400 kg		
Universal Basic sling, with head support - polyester mesh	009-09833	grey	XS	37		75	275 kg		
	009-09834	red	S	42		80	275 kg		
	009-09835	yellow	M	48		91	275 kg		
	009-09836	green	L	52		100	275 kg		
	009-09837	blue	XL	68		100	400 kg		
	009-09838	black	XXL	78		100	400 kg		
Universal Hammock sling - mesh	009-09673	grey	XS	37	50		275 kg	<ul style="list-style-type: none"> • For less active users, who are in seated position for longer periods. • For transfers from a lying position. • For transfers in mobile and stationary hoists. 	
	009-09674	red	S	42	55		275 kg		
	009-09675	yellow	M	48	66		275 kg		
	009-09676	green	L	52	75		275 kg		
	009-09677	blue	XL	68	75		400 kg		
	009-09678	black	XXL	78	75		400 kg		
Universal Hammock sling, with head support - mesh	009-09683	grey	XS	37		75	275 kg		
	009-09684	red	S	42		80	275 kg		
	009-09685	yellow	M	48		91	275 kg		
	009-09686	green	L	52		100	275 kg		
	009-09687	blue	XL	68		100	400 kg		
	009-09688	black	XXL	78		100	400 kg		

PRODUCT	PRODUCT CODE	STRAP COLOUR	SIZE	Y	X	Z	SWL	USABILITY
Universal Amputee sling, with extra leg straps- polyester	009-09743	grey	XS	37	50	-	275 kg	<ul style="list-style-type: none"> • For users who have a single or double amputation. • For transfers from a sitting or lying position. • For transfers in mobile and stationary hoists.
	009-09744	red	S	42	55	-	275 kg	
	009-09745	yellow	M	48	66	-	275 kg	
	009-09746	green	L	52	75	-	275 kg	
	009-09747	blue	XL	68	75	-	400 kg	
	009-09748	black	XXL	78	75	-	400 kg	
Universal Comfort sling with head support - polyester	009-09763	grey	XS	37	-	75	275 kg	<ul style="list-style-type: none"> • For users with increased disability or other special needs. • For transfers from a sitting or lying position. • For transfers in mobile and stationary hoists
	009-09764	red	S	42	-	80	275 kg	
	009-09765	yellow	M	48	-	91	275 kg	
	009-09766	green	L	52	-	100	275 kg	
	009-09767	blue	XL	68	-	100	400 kg	
	009-09768	black	XXL	78	-	100	400 kg	
Universal Comfort sling with head support - polyester mesh	009-09773	grey	XS	37	-	75	275 kg	
	009-09774	red	S	42	-	80	275 kg	
	009-09775	yellow	M	48	-	91	275 kg	
	009-09776	green	L	52	-	100	275 kg	
	009-09777	blue	XL	68	-	100	400 kg	
	009-09778	black	XXL	78	-	100	400 kg	
Disposable Comfort Sling without head support (10 pcs.)	008-04104	red	S	42	55	-	275 kg	<ul style="list-style-type: none"> • A disposable sling is perfect for situations where a high hygienic standard is needed, e.g. if there is a risk of infection. • For users with increased disability or other special needs. • For transfers from a sitting or lying position. • For transfers in mobile and stationary hoists.
	008-04105	yellow	M	48	66	-	275 kg	
	008-04106	green	L	52	75	-	275 kg	
Disposable Comfort Sling with head support (10 pcs.)	008-04114	red	S	42	55	-	275 kg	
	008-04115	yellow	M	48	66	-	275 kg	
	008-04116	green	L	52	75	-	275 kg	
Toilet sling without head support - polyester	009-09543	grey	XS	37	50	-	275 kg	<ul style="list-style-type: none"> • For transfers to and from the toilet. • For users with a good control of the head and torso. • For transfers from a sitting or semi-sitting position. • Used for transfers in mobile and stationary hoists.
	009-09544	red	S	42	55	-	275 kg	
	009-09545	yellow	M	48	66	-	275 kg	
	009-09546	green	L	52	75	-	275 kg	
	009-09547	blue	XL	68	75	-	400 kg	
	009-09548	black	XXL	78	75	-	400 kg	

PRODUCT	PRODUCT CODE	STRAP COLOUR	SIZE	Y	X	Z	CHEST	SWL	USABILITY
Low Back sling - polyester	009-09633	grey	XS	37	50	-	-	275 kg	<ul style="list-style-type: none"> • For users with a good upper body & head control. • Used for transfers from a sitting or semi-sitting position. • Used for transfers in mobile and stationary hoists.
	009-09634	red	S	42	55	-	-	275 kg	
	009-09635	yellow	M	48	66	-	-	275 kg	
	009-09636	green	L	52	75	-	-	275 kg	
	009-09637	blue	XL	68	75	-	-	400 kg	
	009-09638	black	XXL	78	75	-	-	400 kg	
Walking sling	009-09572	grey	XS	-	-	-	62-75	180 kg	<ul style="list-style-type: none"> • For users with good upper body control and some lower limb function. • Used for transfers from a sitting position. • Used for transfers in stand aids.
	009-09883	red	S	-	-	-	76-84	180 kg	
	009-09884	yellow	M	-	-	-	55-92	180 kg	
	009-09885	green	L	-	-	-	93-105	180 kg	
	009-09886	blue	XL	-	-	-	106-114	180 kg	
	009-09887	black	XXL	-	-	-	116-130	180 kg	
Standing sling	009-09594	red	S	-	-	-	76-84	275 kg	<ul style="list-style-type: none"> • Supports during standing movement and can also be used for gait training, for users with sufficient stability and standing function, but low balance. • Supports central part of back. Has anti-slip material on the back. • Sitting to and from e.g. bed, wheelchair/bathing and shower chair.
	009-09595	yellow	M	-	-	-	55-92	275 kg	
	009-09596	green	L	-	-	-	93-105	275 kg	
	009-09597	blue	XL	-	-	-	106-114	275 kg	
	009-09598	black	XXL	-	-	-	116-130	275 kg	



Y = Hip Measurement

X = Measurement from neck to lower back

Z = Measurement from head to lower back





BEDROOM

Medical beds and aids suited for the treatment of individuals who have limited mobility. Whether it is lifting, moving, or repositioning an individual, a carer frequently uses their own strength to provide manual assistance. Sitting up in bed or getting a patient's legs into bed can often put quite a strain on care providers, particularly when legs are oedematous.

Our bedroom products are designed to aid the patient with everyday tasks such as getting in and out of bed, whilst also minimising the moving and handling risks to the carer. In addition, the in-built safety features provide reassurance and security for vulnerable and elderly individuals and are all designed to fit into both a home or care environment.

Medical beds

Our range of medical beds allow both patients and carers to benefit from the exceptional mechanical ergonomics and offer a solution for hospitals, care homes and home environments.



Mangar Pillowlifts

These lightweight inflating backrests help people rise from lying to sitting either on their back or side. They increase independence for the user while also minimising moving and handling risks for the carer. The Handy Pillowlift and the Sit-u-Up both sit on top of the mattress and cause no disturbance to a second person in a double bed.



Mangar Leglifter

Fitting most beds, including profiling beds, the Leglifter promotes independence for transferring the users' legs into bed by pushing one button to inflate. Suitable for anyone who requires assistance lifting their legs onto the bed, the Leglifter doesn't require any permanent installation so is suitable for both short-term and long-term use.





X'PRESS LOW BED

The X'Press Low bed aims to decrease the severity of falls from a bed, without the use of bed restraints (physical, chemical, psychological). It is shown that there is a reduction in fall risk with a medical bed with a reduced minimum height (under 300 mm) as compared to medical beds that do not lower to that height (HAS 2007). We recommend providing low-clearance beds for agitated patients in EHPAD (Residential Care Home) bedrooms.



X'PRESS BED

This medical bed meets the needs of users with its exceptional mechanical ergonomics for patients who have lost their motor independence. It is designed and manufactured in compliance with the IEC 60601-12-52 standards in force



XXL X'PRESS BED

The XXL X'PRESS bed has a lifting limit of 315 kg making it ideal for bariatric patients. Suitable for a home, care home or hospital environment, it is easy to assemble, transport and store.

Product code: X03C4D1

X'PRESS Bed Range

These medical beds meet the needs of both patients and carers, with its exceptional mechanical ergonomics for patients who have lost their motor independence, and ability to fold onto its own transport trolley and take up very little floor space.

ERGONOMICS

- Thanks to the bed's mechanical ergonomics the user can adopt the recommended postures to help prevent MSDs (musculoskeletal disorders) when the bed is being delivered, assembled and dismantled.
- Assembly and dismantling operations are very easy with no tools required. Blue parts play a functional role providing guidance for the bed's assembly.
- The secure Easy Move board fastening system make changing head and foot boards just as easy and includes a range of elegant design and colour choices to suit any hospital, care home or home.
- The ergonomic design of the bed means it does not take up much space and is stored on its own castors therefore it is easy to move in any situation (elevators, small vehicles, etc.). This means it does not need any trolley and enables single person installation.



Key Features

1. Simple and easy to use backrest and lockable controls for full comfort and mobility.
2. The new LINAK CA40 box powers the bed and emits low levels of noise and vibration.
3. The cable routing reduces pulling and risks of deterioration.
4. Compatible with S.A.M Mobility Aid System.
5. The 5cm gap under the bed enables the bed to be compatible with mobile hoists and bedside tables.

TECHNICAL SPECIFICATIONS

	X'PRESS LOW	X'PRESS			XXL X'PRESS			
Reference	AGI: Pack including bed, panels, rails, pole	2 functions	3 functions without knee break	3 functions with knee break	2 electric functions		3 electric functions	
Dimensions	90 x 200 cm	Assembled bed: 90 x 200 cm divisible bed base Bed in storage position: 50 cm wide, 90 cm long and 160 cm high			120 x 200 cm	140 x 200 cm	120 x 200 cm	140 x 200 cm
Adjustable Height	24 to 80 cm	34 - 84 cm – Ground clearance: 13 cm			35 to 81 cm			
Back Rest	70° max	0° to 75°			75°			
Leg Rest	Version C: max tilt of 12° per notch Version P: max electrical tilt of 21° and folding leg rest with max of 26° per notch	12° manual cranks	13.5° electric	Thigh section 26° and 16° feet adjustment by manual crank	12° manual cranks		26° thigh section (thighs) and 16° feet adjustment by manual cranks	
Lifting Capacity	Safe operational load: 170 kg max Patient weight 135 kg Accessories 15 kg Mattress 20 kg	SWL (1) 170 kg Mattress 20 kg Patient 135 kg Accessories 15 kg			SWL (1) 315 kg Mattress 30 kg Patient 270 kg Accessories 15 kg			
Castors	Ø 100 mm	Ø 100 mm			Ø 100 mm with brake without thread guard			
Standards	IEC 60601-2-52 compatible with application environments 3, 4 and 5	IEC 60601-2-52 compatible with environments 3, 4 and 5			IEC 60601-2-52 compatible with environments 1, 2, 3, 4 and 5			
Motorisation	LINAK - lockable remote protection rating IPX6 (IEC 60529)	LINAK IP66			LINKAK IP66			



Bed for couples up to 270 kg

2 sleeping widths:
140 (2x70) and 160 (2x80) cm

2 versions: 2 and 3 functions
with thigh section



14 cm optimized clearance
under the bed on feet or castors

Divisible bed base
with welded metal slats

3 Basic Finishes

- On castors, on castors with skirting or on fixed feet with skirting
- Wooden slatted bed base
- Two infrared remote controls



Product code: D08C8

The Divisys Bed Range

The Duo and XXL Divisys are designed for couples who would like to stay in the same bed, but where one or both of them have limited mobility. They can rest, read or sleep comfortably without disturbing the other person.

- Sleeps couples with a combined weight of 270 kg comfortably
- Two separate bed bases enable individual independence
- Each side of the bed can be individually moved into reclining, half-seated or flat position
- Easy to clean bed with welded metal slats
- Suitable for use at home or in care facility. The bed comes in a choice of two colours and designs
- Flexible height range makes it ergonomically beneficial for care givers

Key Features

- Size: 140 (2x70) cm or 160 (2x80) x 200 cm
- Height range from 34 to 74 cm
- Combined width of 140 cm (2x70) or 160 cm (2x80)
- Bed on fixed feet
- MEDIDOM II* Light Dragon Tree colour trim, with long side panels and skirting
- 2 models available with 2 and 3 electrical functions
- Compatible with S.A.M Mobility Aid System
- Simple and easy to use controls

Dimensions	Adjustable Height	Back Rest	Leg Rest	Lifting Capacity	Castors	Standards
140 x 200 cm	34 cm to 74 cm	70°	12° manual crank	SWL ⁽¹⁾ 315 kg mattress 30 kg patient 270 kg accessories 15 kg	Ø 100 mm with brake without thread guard	IEC 60601-2-52
160 x 200 cm			26° thigh sections (thighs) and 16° feet adjustment 160 x 200 cm by manual cranks			
140 x 200 cm						
160 x 200 cm by manual cranks						

Description	Dimensions	Adjustable Height	Back Rest	Leg Rest	Lifting Capacity	Castors	Standards	Motorisation
XXL DIVISYS 2 electric functions	120 x 200 cm	35 cm to 81 cm	70°	12° manual cranks	SWL ⁽¹⁾ 315 kg mattress 30 kg patient 270 kg accessories 15 kg	Ø 100 mm with brake without thread guard	IEC 60601-2-52 compatible with environments 1,2,3,4 and 5	LINAK IP66
	140 x 200 cm							
XXL DIVISYS 3 electric functions	120 x 200 cm	35 cm to 81 cm	70°	26° thigh sections (thighs) and 16° feet adjustment by manual cranks	SWL ⁽¹⁾ 315 kg mattress 30 kg patient 270 kg accessories 15 kg	Ø 100 mm with brake without thread guard	IEC 60601-2-52 compatible with environments 1,2,3,4 and 5	LINAK IP66
	140 x 200 cm							

- 2 accessory holders (lengthwise)
- 2 IV stand holders (at the head of the bed)
- 2 lifting pole holders (at the head of the bed)

Handset, electric and mechanical parts: 5 year warranty
Boards and accessories: 1-year warranty*
* Under normal conditions of use and excluding wearing parts - please see instructions of use

⁽¹⁾ Safe Working Load



STEP 1: Choose the bed base according to the variable height



STEP 2: Choose the bed configuration



Electric leg rest with thigh section.



Product code: AL5P3D1F06

Aldrys Bed

The ALDRYS bed has a range of features and functions making it ideal for use in care facilities or in the home.

- In-built safety features ensure a safe environment for vulnerable and elderly patients
- The bed is made from good quality, robust materials and comes with a five-year warranty
- Powered using LINAK actuators, there are several back and leg rest options available
- The bed has been optimised for maximum underbed clearance, meaning mobile hoists easily fit underneath
- Bed lowers to a 22 cm floor clearance, reducing the impact of any falls
- A full range of foot and headboard colour and design choices gives ultimate flexibility for aesthetic finishes
- Flexible height range makes it ergonomically beneficial for care givers
- Coloured, traditional and padded Eleganti boards give patients a visual cue and provide extra protection in the event of a bump

Key Features

- Height range 22 to 78 cm
- Size 90 x 200 cm
- Compatible with the S.A.M Mobility Aid System
- Simple and easy to use controls
- Choice of colours and designs
- Several back and leg rest options

TECHNICAL SPECIFICATIONS

Description	Dimensions	Adjustable Height	Back Rest	Leg Rest	Lifting Capacity	Standards	Motorisation
ALDRYS 'EVOLUTION II 3 electrical functions	90 x 200 cm divisible bed base	22 cm to 78 cm individual braking or 24 cm to 80 cm central braking	70°	Knee break 26° (thighs) and 16° feet adjustment by manual cranks	SWL ⁽¹⁾ 170 kg Mattress 20 kg Patient 135 kg Accessories 15 kg	IEC 60601-2-52 compatible with environments 3, 4 and 5	LINAK IP 66

- 2 accessory holders (lengthwise)
- 2 IV stand holders (at the head of the bed)

- 2 lifting pole holders (at the head of the bed)
- Handset, electric and mechanical parts: 5 year warranty
- Boards and accessories: 1 year warranty*

* Under normal conditions of use and excluding wearing parts - please see instructions of use

⁽¹⁾ Safe Working Load



FULL LENGTH WOODEN SIDE RAILS

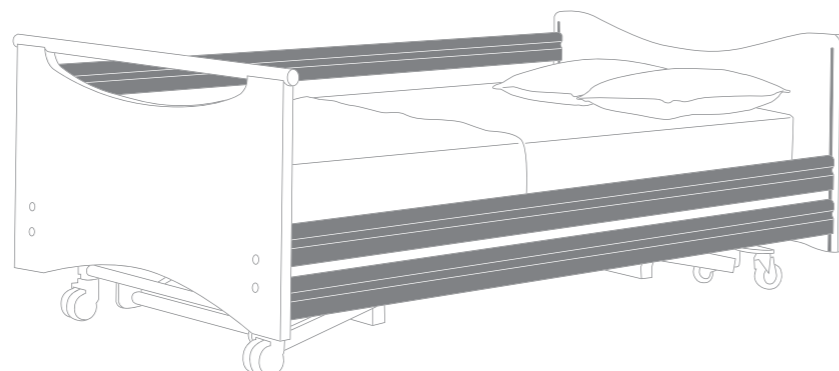
These are sliding side rails fixed in the headboards and footboards. They can be positioned on our entire bed line (width of 90/100/120/140/160cm).

These side rails are compatible with 3 boards of our range



They are available in 3 finishes:

- Light beech polymer coating
- Paint varnished according to the colours of the colour chart
- Gloss paint according to the colours of the colour chart.



TECHNICAL AIDS SIDE RAILS

These are bed accessories providing new features to improve patients' mobility while facilitating the work of caregivers.

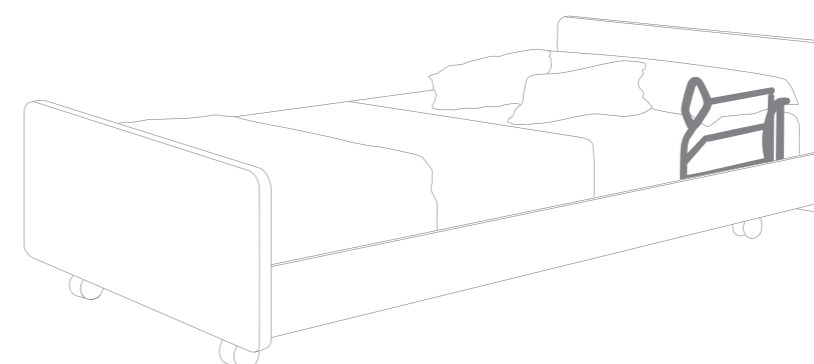
This range has been developed in collaboration with experts (occupational therapists and designers). Systems Aiding Mobility are patented accessories.

The SAM range is compatible with all our beds.

They comply with the 60 601-2-52 requirements on spacing.

PRINCIPLE:

The SAM range improved the motor pattern of the patient during his/her "lying-seated" movement and contributes take part in daily life activities by mobilising these functional abilities. It improves caregiver safety postures and creates a free space for caregivers.



EVOLUTION



ACTIV



ERGONOMOM





ALUMINIUM AND WOODEN 1/2 SIDE RAILS

They are sliding side rails composed of 2 segments of identical dimensions. They are equipped with a patented locking/unlocking system guaranteeing the safety of its users. The metal part is aluminium, the upper part(handrail) is solid wood.

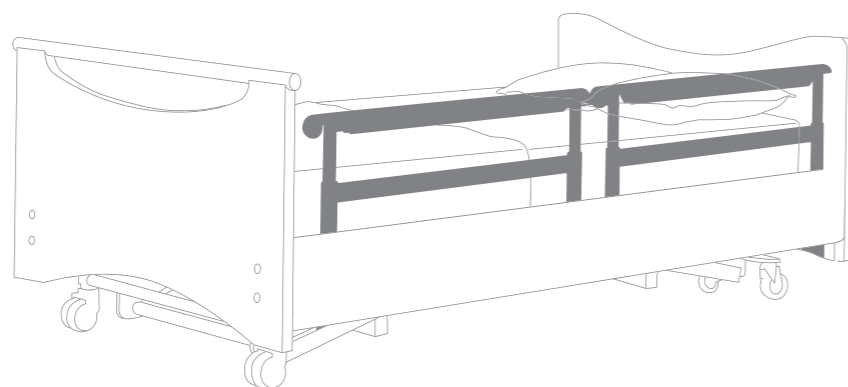
These side rails are removable and compatible with

- All our beds
- The boards in our range
- Our bedding

They comply with the EN 60 601-2-52 requirements on spacing.

They are available in 2 finishes for the handrail:

- Paint varnished according to the colours of the colour chart
- Glass paint according to the colours of the colour chart.



3/4 EPOXY SIDE RAILS

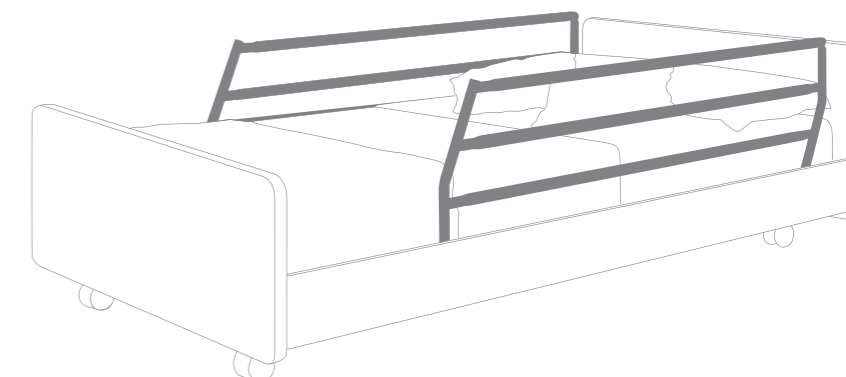
These retractable side rails are compatible with all our beds. The rails are equipped with a fixation system in order to prevent bad installations and comply, with comply with the EN 60 601-2-52 requirements on spacing. They are compatible with our bedding (photos opposite) and available in 4 colours according to the colour of the bed frame.

EPOXY PAINTS AVAILABLE



RAL 7035

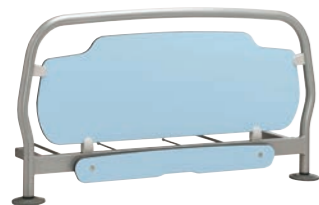
RAL 7035



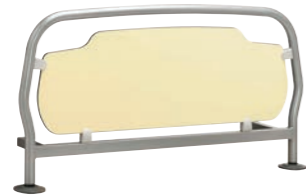


Our beds and their accessories are designed and manufactured in compliance with European Directive 93/42/EEC. We have performed standardised testing on them in their commercial configurations, including the bed boards and accessories that we manufacture, so as to ensure maximum safety and performance for you.

WINNEA



- Headboard**
- Crystal Blue finish
 - Removable headboard



- Footboard**
- Sixties Yellow finish



- Footboard**
- Crystal Blue finish
 - Optional blanket holder



WINNEA CIC

Handset, electric and mechanical parts: 5-year warranty*

Boards and accessories: 1-year warranty*

*Under normal conditions of use and excluding wearing parts - please see instructions of use

MADÉLIA



- Light Beech inside finish
- Ral1001 edging

ABELIA II *



- Light Beech inside finish
- Glued ABS edging. Dark Beech colour
- Ral1001 brown epoxy hand rail
- Ral1001 brown polyethylene ends

AUZENCE II



- Grey Dragon Tree inside finish
- Ral 7030 surround

VAL DE VIE *



- Light Beech inside finish
- Ral1001 surround

CARMEN II



- Headboard**
- Light Dragon Tree inside finish
 - matching ABS edging



- Footboard**
- Light Dragon Tree inside finish
 - matching ABS edging

DAGONE *



- Light Beech inside finish
- Ral1001 surround

ELEGANTI



- Dune and chocolate PVC
- Unique standard colours

COTE DU LUMIERE



- Light Beech inside finish
- Ral1001 surround

MEDIOM II



- Headboard**
- Light Dragon Tree inside finish
 - Matching edging



- Footboard**
- Light Dragon Tree inside finish
 - Matching edging

BOARDS	STANDARD COLOURS	BED BASE WIDTH (DIMENSIONS IN CM)					
		80	90	100	120	140	160
MADÉLIA II	Light Beech inside finish, Ral 1001 glued ABS edging			X			
ABÉLIA II	Light Beech or Noble Cherry inside finish, Ral 1001 glued ABS edging, Ral 8011 Brown epoxy hand rail, Ral 8011 Brown polyethylene ends		X	X	X	X	X
ELEGANTTI	Dune and Chocolate PVC		X				
CARMEN spaces for wooden side rails			X		X	X	X
CARMEN II	Light Beech inside finish, matching edging and footboard: smooth epoxy hand rail and polyethylene ends in Ral 8011 Brown, or Light Dragon Tree inside finish, matching edging and footboard: smooth epoxy hand rail and polyethylene ends in Ral 1013 Cream		X				
CARMEN II spaces for wooden side rails	Light Beech inside finish, matching edging and footboard: smooth epoxy hand rail and polyethylene ends in Ral 8011 Brown,		X	X	X	X	X
CÔTE DE LUMIÈRE ⁽¹⁾	Light Beech or Noble Cherry inside finish, matching ABS edging uprights and hand rails Ral 1001, lacquer or colour		X	X			
VAL DE VIE	Light Beech inside finish, matching ABS edging, Ral 1001 uprights and hand rails		X				
VAL DE VIE spaces for wooden side rail			X				
DAGONE	Light Beech or Noble Cherry inside finish, edging and hand rails Dark Beech lacquer		X				
AUZENCE II	Grey Dragon Tree interior finish, Ral 7030 Taupe lacquer edging Taupe lacquer epoxy hand rails, Ral 7030 upright		X		X	X	X
MEDIFORM ⁽¹⁾					X	X	X
MÉDIDOM					X	X	X
MÉDIDOM II	Light Dragon Tree interior finish, matching edging		X		X	X	X
WINNEA FIXES (foot)	Compact Cream Ral 1013 epoxy hand rails		X				
WINNEA REMOVABLE (head)			X				
WINNEA CIC	Ral 7047 Grey		X				
PITCHOUNE KALIN	White / Kiwi or White / Violet	X					
PITCHOUNE KALIN spaces for wooden side rail		X					
ACCESSORIES (dimensions in cm)		DIMENSIONS: FROM TOP OF BED BASE, TO THE TOP OF THE BOARD					
METAL SIDE RAIL					-		
SAM ACTIV					-		
SAM ERGONOM					-		
SAM EVOLUTION					-		

DIMENSIONS: FROM TOP OF BED BASE, TO THE TOP OF THE BOARD	OVERALL BED DIMENSIONS IN CM (EXCLUDING ACCESSORIES) (DATA TO BE ADDED TO THE BED BASE WIDTH AND LENGTH)		MATERIALS ⁽³⁾		FIRE RATING
	(HEAD/FOOT)	WIDTH	LENGTH ⁽²⁾	BOARDS	
35	10	6	CHIP	-	M3
36	10	7	CHIP	STEEL	M3
41/31	13	10	MDF/PVC/FOAM		M1 or M2
46	18	9	MDF/CHIP	STEEL	M3
41	17	9	CHIP	STEEL (foot)	M3
44					
53	16	10	SOLID WOOD/CHIP	SOLID WOOD	M3
46/39	6	9	SOLID WOOD/CHIP	SOLID WOOD	M3
43.6	13	9			M3
49 / 40	11	10	MDF	MDF	M3
40	6	11	MDF / SOLID WOOD UPRIGHTS	STEEL	M3
53	20	9	MDF / CHIP	MDF	M3
40 / 13	7	6	MDF	-	M3
37 / 14	6	8	CHIP	-	M3
42	15	13	STEEL / COMPACT	STEEL	M2
45					
45	15	13	POLYPROPYLENE		M3
46	15	6	MDF	-	M3
43	13	8	MDF	STEEL	M3
DIMENSIONS: FROM TOP OF BED BASE, TO THE TOP OF THE BOARD					
39	12		-		M2
48	12		-		M3
46	12		-		M3
40	12		-		M3



MANGAR Pillowlifts

The Handy Pillowlift and the Sit-u-Up assist people who need help to rise from lying to sitting.

They minimise moving and handling risks and reduce the risk of musculoskeletal injury for the carer. With no fixtures or fittings, they sit on top of the mattress and can be used on any size bed, so it causes no disturbance to a second person in a double bed. Inflation and deflation can be stopped at any time and can lift a person on their back or side, allowing freedom to choose the most comfortable position.

TECHNICAL SPECIFICATIONS

Product	Handy Pillowlift	Sit -u-Up
Max user weight	135 kg	150 kg
Min height	Flat	Flat
Total length	80 cm	75 cm
Width	61 cm	70 cm
Total product weight	2 kg	4.8 kg
Back/headrest length	73 cm	73 cm
Backrest angle adjustment	Flat to 55°	Flat to 65°
Airflo Compressor	12	12
Lifting performance per charge	20 lifts	20 lifts

Features

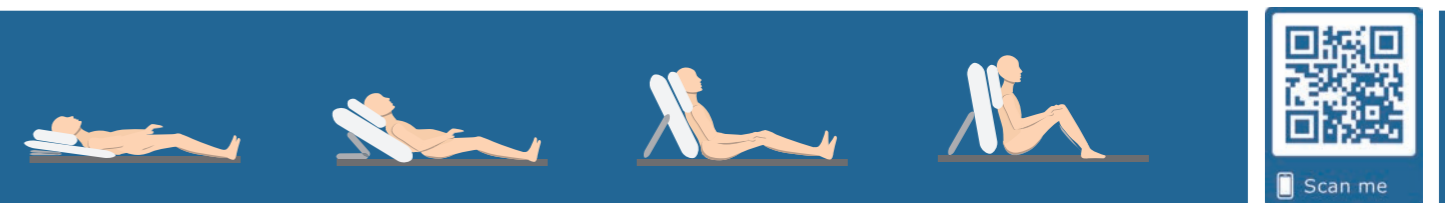
1. Adjustable back support.
2. Easy to wash and change covers.
3. Spreader bar positioned against headboard to help secure Pillowlift in place.
4. Anti-slip pillow holder.
5. Push button hand control to inflate and deflate Pillowlifts.
6. Made from durable polyurethane coated nylon material.

Accessories

- Pillowlift Quilt
- Pillowlift Cover



Product codes:
Handy Pillowlift: MPCA120500
Sit-u-Up: MPCA130500





MANGAR Leglifter

The inflatable Leglifter raises, lifts and transfers the users' legs into bed.

EASY TO FIT

- Fits most beds including profiling beds
- Straight forward to fit or remove, and requires no permanent installation
- Attaches to the bed underneath the mattress
- One airline connects the Leglifter to the Airflo Compressor and inflation is activated by pushing one button

SIMPLE TO MAINTAIN

- For a routine clean, sponge clean with a detergent solution and dry thoroughly
- The covers can be machine washed
- Spare covers can be purchased

- The materials are designed to exceptionally high standards with extraordinary durability, strength & performance in the toughest of environments

SAFE TO USE

- Raises, lifts and transfers legs into the bed
- Leg break on profiling beds can still be used once Leglifter is fitted
- Aids independence

IMPROVES WELL-BEING

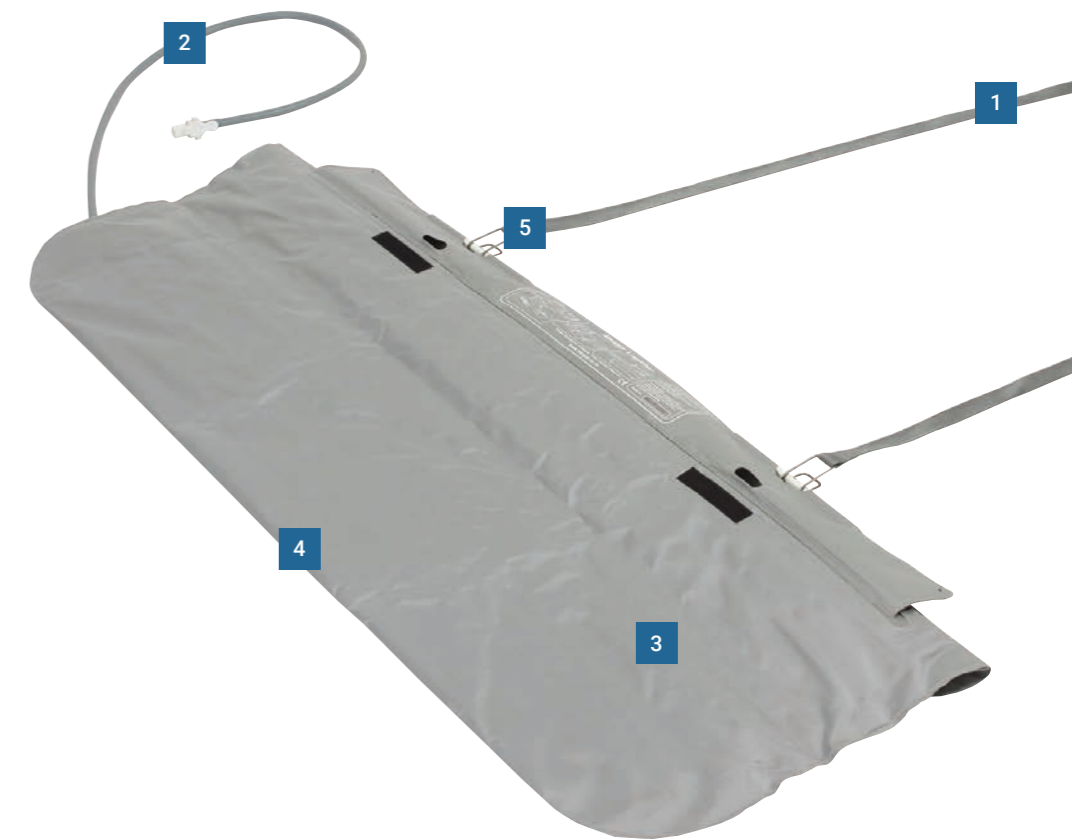
- Minimises moving and handling so reducing the risk of musculoskeletal injury for the carer
- Fits discreetly against the side of the bed
- No permanent installation required

TECHNICAL SPECIFICATIONS

Max user weight	135 kg
Min height	Flat
Total length	124 cm
Width	57 cm
Total product weight	1.5 kg
Airflo Compressor	12
Lifting performance per charge	Up to 16 lifts

Features

1. Fitting Straps.
2. Air Distribution Hose.
3. Made from strong polyurethane coated nylon material.
4. Seams joined by high frequency welding.
5. Hook of Leglifter straps.



Product code: MPCA140500



Scan me



TECHNICAL SPECIFICATIONS

Weight

Base unit: 2.8 kg

Air chambers incl. hoses: 1.5 kg

Dimensions

(LxWxH) 21 cm x 12cm x 31 cm
Base Unit:

Dimensions (LxWxH) 110 cm x 80 cm
Air Chambers incl. hoses:

Electrical Data

Operating voltage: 240V

Frequency: 50Hz/60Hz

Output: Max. 18W

Classification: Protection class II

Fuse (in the apparatus): M3A, 230V micro-fuse

Patient Positioning

Positioning Angle: 0° to 35° (depending on body shape)

Positioning times: 10 to 120 minutes per partial positioning stage ±15 seconds

Contact and moisture protection

Housing and sensors: IP 33

Storage Conditions

Temperature range: -10° to 50° C

Relative Humidity: 0% to 95% no condensation

Operating conditions

Internal power supply for the warning system in case of power failure: 2 no-maintenance batteries type AA 1.2V 1900mA

Ekamove

The Ekamove is the latest generation in patient repositioning solutions, innovatively designed to deliver person specific pressure care.

SAFE TO USE

- The air chambers provide a soft lift beneath the mattress which forms gently to the shape of the patient's body. This delivers less pressure and comparatively less shearing force than a plate system.
- The air chamber inflates to turn the patient to any angle between 0° and 30°, with a choice of dwell time settings between 10 minute minimum dwell time.
- A memory card is included to track patient repositioning, providing diagnostic and operational information to clinicians and service managers.
- Works effectively with standard, foam mattresses so can negate the need for more expensive hybrid or dynamic models.
- The Ekamove can be used with any hospital mattress and should be integrated into a healthcare bed with side protection.
- The adjustable clamp on the control unit means it can fit tightly onto any type of bed end.
- Suitable for patients that weigh between 15 kg to 300 kg, with a wider bariatric version also available.
- For some patients, the Ekamove with leg extension maybe the more suitable model if a full length system is required.

ULTIMATE FLEXIBILITY

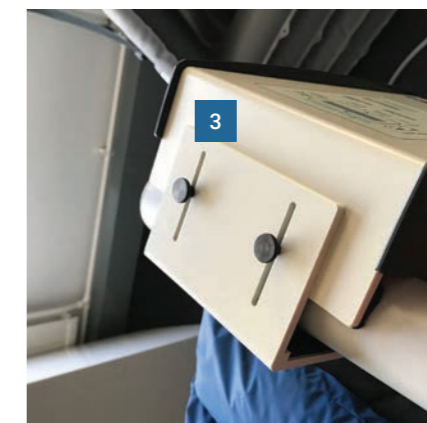
- The Control Unit is simple to operate with 4 easy to use programmes.
- An additional specialist programme can be used when



Product code: MPCA191214

Key Features

1. Can be packed down into a small carrying bag for transportation and storage
2. Air chambers are placed under the mattress and inflate slowly and gently under the patient
3. The control unit is hooked over the foot of the bed using an adjustable bracket
4. A washable PU cover protects the air chambers
5. Air tubes are clearly marked left and right for easy fitting
6. An SD card is inserted under the control unit for tracking patient movement
7. Control unit includes quick release CPR function



Dynamic Mattresses



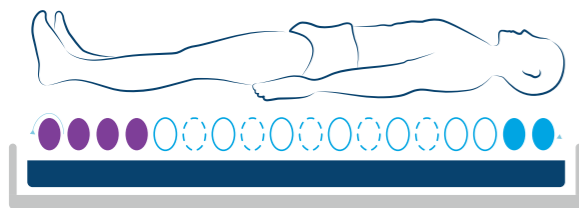
Product code: VAXT6

Axtair Automorpho Axensor Range

The Axtair Automorpho mattress helps in preventing pressure ulcers in patients who are at high risk of pressure ulcer development or bedridden more than 15 hours a day. The mattress helps in treating existing pressure ulcers from stage 1 to 4.

The Range has a Patient Weight tolerance of 30 to 200 kg

Axensor AT12 & AT15



Key Features

OVERLAY MATTRESS 12 CM (AT12 MODEL)

- 12 cm therapeutic air cells
- Weight limit: 165 kg

MATTRESS 15 CM (AT15 AND AT15 DV MODELS)

- 15.5 cm therapeutic air cells
- Weight limit: 180 kg

3 THERAPEUTIC ZONES:

- 2 static air cells located in head area
- 12 alternating air cells located in sacrum area
- 4 independent heel relief air cells

OPTIONAL SUPINE POSITION

- Selective deflation of air cells to prevent from cutaneous injuries and facilitate bronchial secretions for mechanically ventilated patients

CPR VALVE

- Allows for deflating the mattress in less than 15 seconds

Static Mattresses



ALOVA RANGE

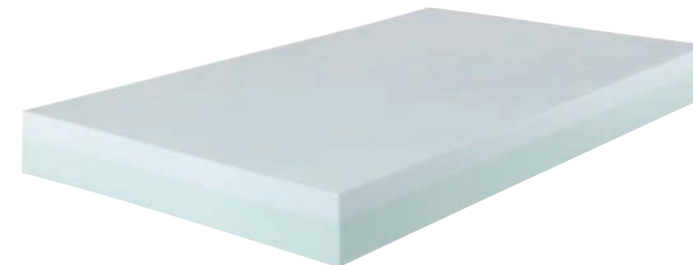
Product code: VMA 100-CIC

Key Features

- 6 cm moulded visco elastic foam mattress top layer: density ≥ 75 kg/m³
- 8 cm polyether foam base: density 18 kg/m³ (VMA62), 28 kg/m³ (VMA63) and ≥ 34 kg/m³ (VMA64)
- 3 different hardnesses: medium (1.7 kPa), firm (1.9 kPa) and soft (1.5 kPa)
- Patient weight: 20 to 120 kg (VMA62), 20 to 150 kg (VMA63) and 20 to 180 kg (VMA64)
Dimensions: 195 x 88 x 14 cm (76.7 x 34.6 x 5.5 inches)
- Mattress weight: 14 kg (VMA62), 15 kg (VMA63) and 16 kg (VMA64)
- Covers available: Promust PU, Promust PU HD and Promust CIC

Key features

- 7 cm moulded visco elastic top layer: density: ≥ 75 kg/m³ ; hardness: 1.7 kPa
- 10 cm polyether foam base: density: 28 kg/m³ ; hardness: 3.6 kPa
- Patient weight: 30 to 150 kg
- Dimensions: VMA117XL: 196 x 117 x 17 cm (77.1 x 46 x 6.6 inches)
- VMA137XL: 196 x 137 x 17 cm (77.1 x 53.9 x 6.6 inches)
- Mattress weight: 24 kg (VMA117XL) and 28 kg (VMA137XL)
- Cover available: Promust PU



ALOVA XXL

Product code: VMA120BAR/ VMA140BAR

TALK TO OUR CUSTOMER SERVICE TEAM

Designing care home bedrooms

Ask one of Area Sales Managers to call and show you the range of care home bedroom furniture available. Using an online configurator, you can select bed and head and footboards colours, as well as complimentary furniture to make your environment a home from home experience.

Ceiling hoists

Our ceiling hoist specialists will visit your premises to measure the space and design the tracking and lifting pod system. Totally bespoke and fitted by a qualified engineer, the Scandinavian styling will bring a modern feel to your care setting.

Selecting beds, mattresses and mobile safe patient lifting devices

Talk to one of our Area Sales Managers about the products that are the best fit for your business. All our products come with a standard warranty and we also offer extended servicing and warranty packages.

Ask our customer service team

If you have any questions about us, our products or our services, or would like to organise a free demonstration or arrange a visit from one of our team, please get in touch.



WHAT CAN WE DO FOR YOU?

Do you have questions about one or more products in this brochure or would you like to know more about Winncare solutions for patient lifting, hygiene, beds, mattresses and cushions, please feel free to contact us at any time.

CONTACT US TODAY

For more information visit
winncare.uk
Email: enquiries@winncare.uk
Phone: 0800 2800 485

We look forward to hearing from you!



Luna Ceiling Hoist / Lifting Cushions / Hygiene / Stand Aids / Bedroom Furniture

enquiries@winncare.uk

winncare.uk

