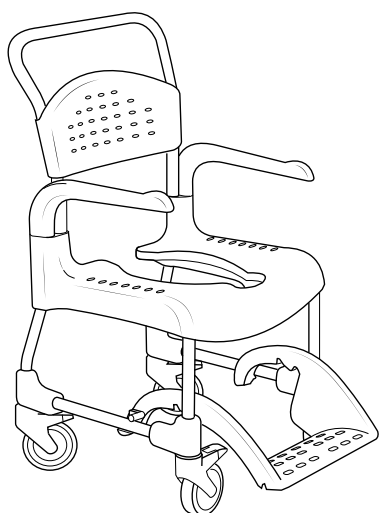


Etac Clean

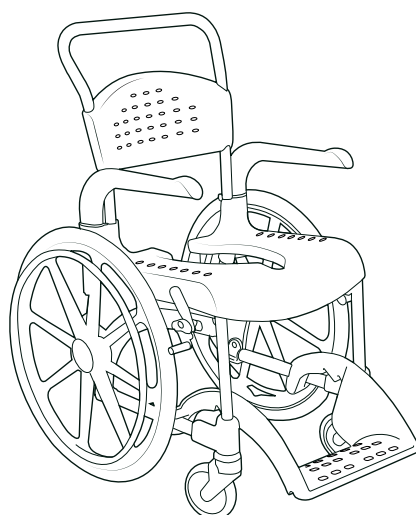
Manual

etac®

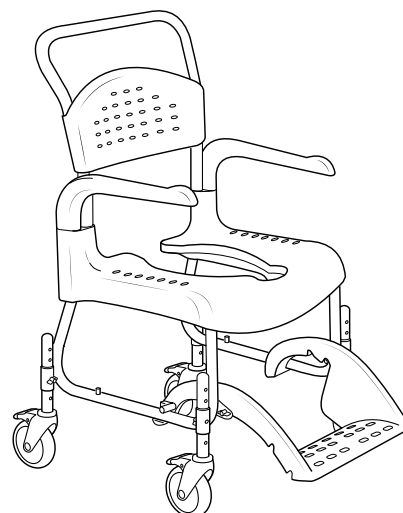
78644K 21-11-05



Clean



Clean 24"



Clean HRB

sv **Innehållsförteckning**

Bilder.....	3-7
Allmänt.....	8
Produktbeskrivning & tekniska data.....	8
Garanti & Underhåll.....	8
Säkerhet.....	8
Förflyttning.....	9
Armstöd.....	9
Höjdglering.....	9
Fotstöd.....	9
Ryggklädsel.....	9
Brukarbroms.....	9
Tillbehör.....	10

no **Innholdsfortegnelse**

Bilder.....	3-7
Generelt.....	11
Produktbeskrivelse & tekniske data.....	11
Garanti / vedlikehold.....	11
Sikkerhet.....	11
Forflytning.....	12
Armlener.....	12
Høyderregulering.....	12
Fotstøtte.....	12
Ryggtrekk.....	12
Brukerbrems.....	12
Tilbehør.....	13

da **Indholdsfortegnelse**

Billeder.....	3-7
Generelt.....	14
Produktbeskrivelse & tekniske data.....	14
Garanti / Vedligeholdelse.....	14
Sikkerhed.....	14
Forflytning.....	15
Armlæn.....	15
Højderregulering.....	15
Fodstøtte.....	15
Stropryg.....	15
Brugerbremse.....	15
Tilbehør.....	16

en **Contents**

Images.....	3-7
General.....	17
Product description & technical data.....	17
Warranty / maintenance.....	17
Safety.....	17
Transfers.....	18
Armrest.....	18
Height adjustment.....	18
Footrest.....	18
Backrest upholstery.....	18
User brake.....	18
Accessories.....	19

de **Inhalt**

Abbildungen.....	3-7
Allgemeines.....	20
Produktbeschreibung & Technische Daten.....	20
Garantie / Wartung.....	20
Sicherheit.....	21
Umsetzen.....	21
Armllehne.....	21
Einstellung der Höhe.....	21

Fußstütze.....	21
Rückenlehnenpolsterung.....	21
Benutzerbremse.....	21
Zubehör.....	22

fi **Sisällysluettelo**

Kuvat.....	3-7
Yleistä.....	23
Tuotekuvaus & Tekniset tiedot.....	23
Takuu / Huolto.....	23
Turvallisuus.....	23
Siirtäminen.....	24
Käsinjojat.....	24
Korkeuden säätö.....	24
Jalkatuki.....	24
Selkänöjan verhoilu.....	24
Käyttäjän jarru.....	24
Lisävarusteet.....	25

fr **Sommaire**

Images.....	3-7
Généralités.....	26
Caractéristiques techniques.....	26
Garantie / maintenance.....	26
Sécurité.....	26
Transferts.....	27
Appuis-bras.....	27
Réglage de la hauteur.....	27
Repose-pieds.....	27
Rembourrage du dossier.....	27
Frein utilisateur.....	27
Accessoires.....	28

nl **Inhoudsopgave**

Afbeeldingen.....	3-7
Algemeen.....	29
Productbeschrijving & technische gegevens.....	29
Garantie / onderhoud.....	29
Veiligheid.....	29
Verplaatsen.....	30
Armlenning.....	30
Hoogteinstelling.....	30
Voetensteun.....	30
Rugbekleding.....	30
Rem voor de gebruiker.....	30
Toebehoren.....	31

it **Indice**

Immagini.....	3-7
Informazioni generali.....	32
Descrizione del prodotto & dati tecnici.....	32
Garanzia / manutenzione.....	32
Sicurezza.....	32
Trasferimenti.....	33
Bracciolo.....	33
Regolazione in altezza.....	33
Poggiapiedi.....	33
Rivestimento dello schienale.....	33
Freno dell'utente.....	33
Accessori.....	34

es **Índice**

Imágenes.....	3-7
Recomendaciones generales.....	35
Descripción del producto & datos técnicos.....	35
Garantía / mantenimiento.....	35

Seguridad.....	35
Traslados.....	36
Reposabrazos.....	36
Regulación de altura.....	36
Reposapiés.....	36
Tapizado del respaldo.....	36
Freno del usuario.....	36
Accesorios.....	37

pt **Índice**

Imagens.....	3-7
Generalidades.....	38
Descrição do produto & Especificações técnicas.....	38
Garantia/manutenção.....	38
Segurança.....	38
Transferências.....	39
Apoio para o braço.....	39
Ajuste da altura.....	39
Apoio para os pés.....	39
Revestimento do apoio para as costas.....	39
Travão do utilizador.....	39
Acessórios.....	40

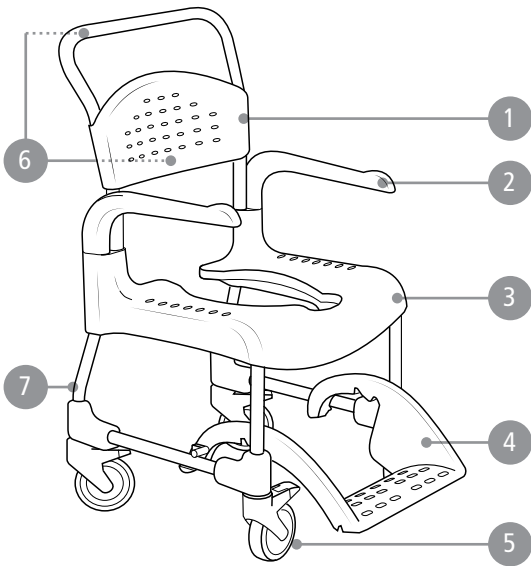
ms **Kandungan**

Imej.....	3-7
Umum.....	41
Perihalan produk & data teknikal.....	41
Waranti / penyelenggaraan.....	41
Keselamatan.....	41
Pemindahan.....	42
Tempat letak tangan.....	42
Pelarasan ketinggian.....	42
Tempat letak kaki.....	42
Upholsteri sandaran.....	42
Brek pengguna.....	42
Aksesori.....	43

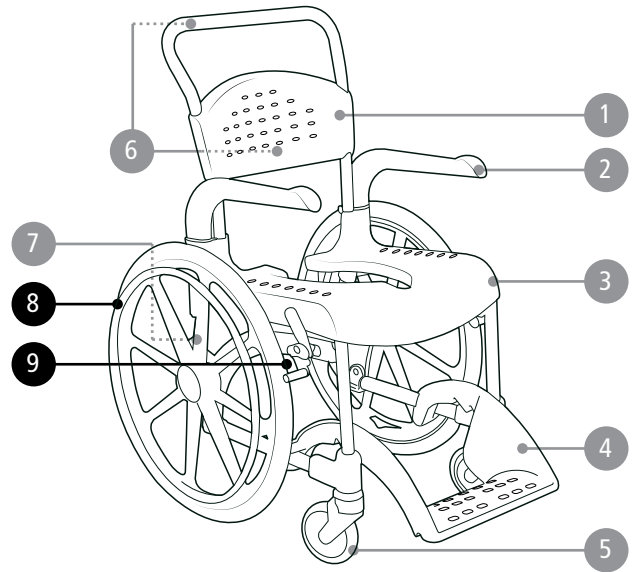
ar **المحتويات**

3-7.....	الصور
44.....	نظرة عامة
44.....	جدول أوصاف المنتج والأبعاد
44.....	الضمان/الصيانة
44.....	السلامة
45.....	عمليات الانتقال
45.....	مسند الذراع
45.....	تعدیل الارتفاع
45.....	مسند القدمين
45.....	كسوة مسند الظهر
45.....	فرامل التوقف الخاصة بالمستخدم
46.....	الملحقات

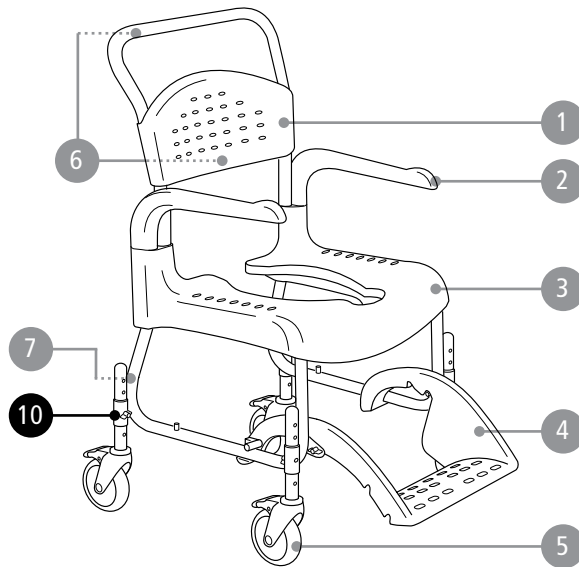
A



Clean



Clean 24"



Clean HRB

A

Clean 44	50 cm (19¾")	56.5 cm (22¼")	98 cm (38½")	38.5* cm (15¼")	44 cm (17¼")	33 / 41 cm (13 / 16")	22 cm (8½")	7.5 cm (3")
Clean 49	50 cm (19¾")	56.5 cm (22¼")	103 cm (40½")	43.5* cm (17")	49 cm (19¼")	33 / 41 cm (13 / 16")	22 cm (8½")	12.5 cm (5")
Clean 55	50 cm (19¾")	56.5 cm (22¼")	107 cm (42")	49.5* cm (19½")	55 cm (21½")	39 / 47.5 cm (15¼ / 18¾")	22 cm (8½")	12.5 cm (5")
Clean 60	50 cm (19¾")	56.5 cm (22¼")	112 cm (44")	54.5* cm (21½")	60 cm (23½")	39 / 47.5 cm (15¼ / 18¾")	22 cm (8½")	12.5 cm (5")
Clean 24"	67 cm (26¼")	74 cm (29")	107 cm (42")	49.5* cm (19½")	55 cm (21½")	39 / 47.5 cm (15¼ / 18¾")	22 cm (8½")	12.5 cm (5")
Clean HRB	54 cm (21¼")	56.5 cm (22¼")	102 / 114.5 cm (40¼ / 45")	42 / 54.5* cm (16½ / 21½")	47.5 / 60 cm (18¾ / 23½")	30 / 44 cm (11¾ / 17½")	22 cm (8½")	12.5 cm (5")

Clean 44	36 cm (14")	44 cm (17¼")	54 cm	48 cm (19")	43.5 cm (17")	36 cm (14")	21.5 cm (8½")	13.5 kg (29.7 lbs)	130 kg (286.6 lbs)
Clean 49	36 cm (14")	44 cm (17¼")	54 cm	48 cm (19")	43.5 cm (17")	36 cm (14")	21.5 cm (8½")	14.0 kg (30.8 lbs)	130 kg (286.6 lbs)
Clean 55	36 cm (14")	44 cm (17¼")	51.5 cm	48 cm (19")	43.5 cm (17")	36 cm (14")	21.5 cm (8½")	14.5 kg (31.9 lbs)	130 kg (286.6 lbs)
Clean 60	36 cm (14")	44 cm (17¼")	51.5 cm	48 cm (19")	43.5 cm (17")	36 cm (14")	21.5 cm (8½")	15.0 kg (33 lbs)	130 kg (286.6 lbs)
Clean 24"	36 cm (14")	44 cm (17¼")	51.5 cm	48 cm (19")	43.5 cm (17")	36 cm (14")	21.5 cm (8½")	20.0 kg (44 lbs)	130 kg (286.6 lbs)
Clean HRB	36 cm (14")	44 cm (17¼")	54 cm	48 cm (19")	43.5 cm (17")	36 cm (14")	21.5 cm (8½")	14.2 kg (31.3 lbs)	130 kg (286.6 lbs)

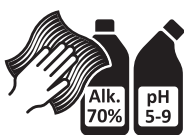



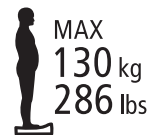

sv *Med Gejder -1.5 cm | **no** *Med bekkenholder -1.5 cm | **da** *Med skinner - 1.5 cm | **en** *With pan holders -1.5 cm | **de** *Mit Beckenhalterung - 1.5 cm | **fi** *Ohjaimien kanssa - 1.5 cm | **fr** *Avec glissières pour bassin - 1.5 cm | **nl** *Met toiletemmerhouders -1.5 cm | **it** *Con guide per padella -1.5 cm | **es** *Con guías para cuña - 1.5 cm | **pt** *Con guías para cuña - 1.5 cm | **ms** *Dengan pemegang lapik -1.5 cm |

ar *مزود بحاملات وعاء -1.5 سم (حوض/بوصة)

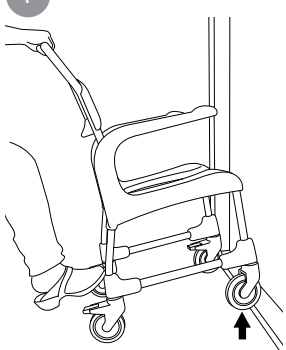
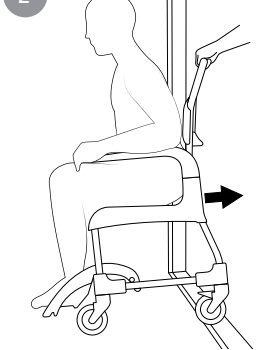
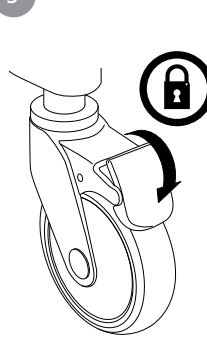
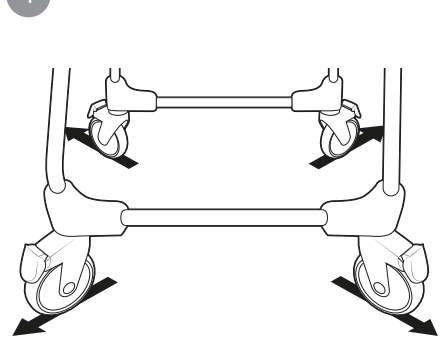
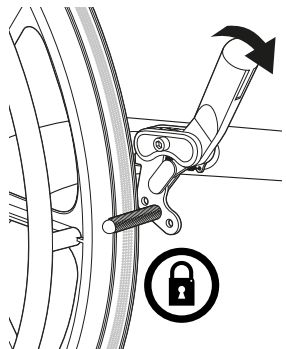
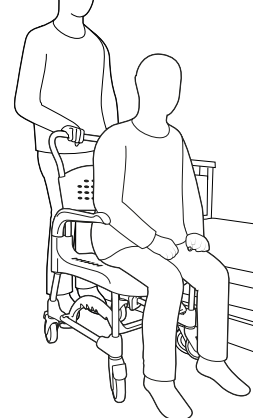
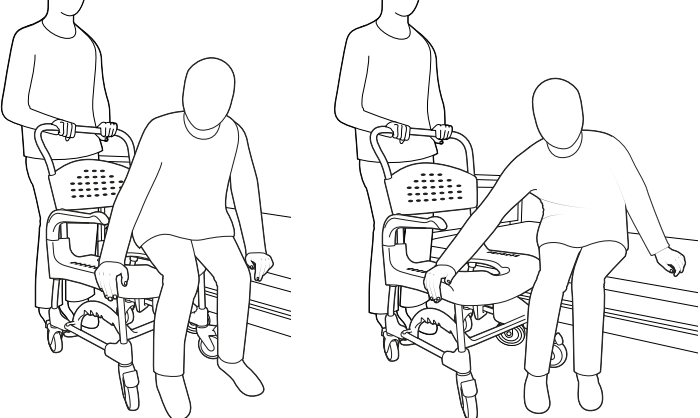


Fe	PP	PA	PP/TPV/PA/Fe	PP/TPR

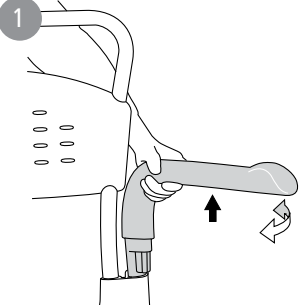
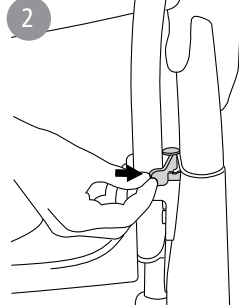
B

- 1

- 2

- 3

- 4

- 5

- 6


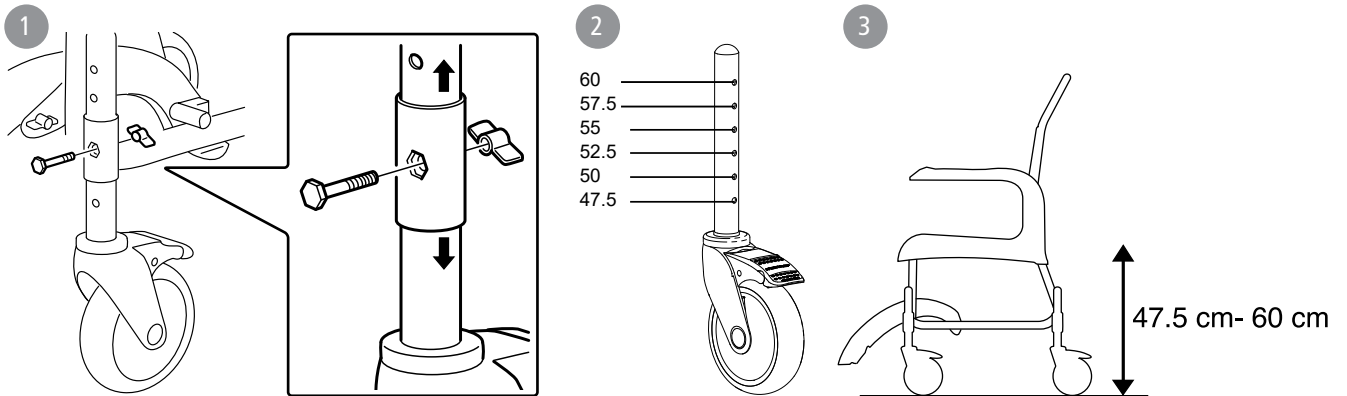
C

- 1

 - 2

 - 3

 - 4

 - 5

 - 6

 - 7

- Clean 24"

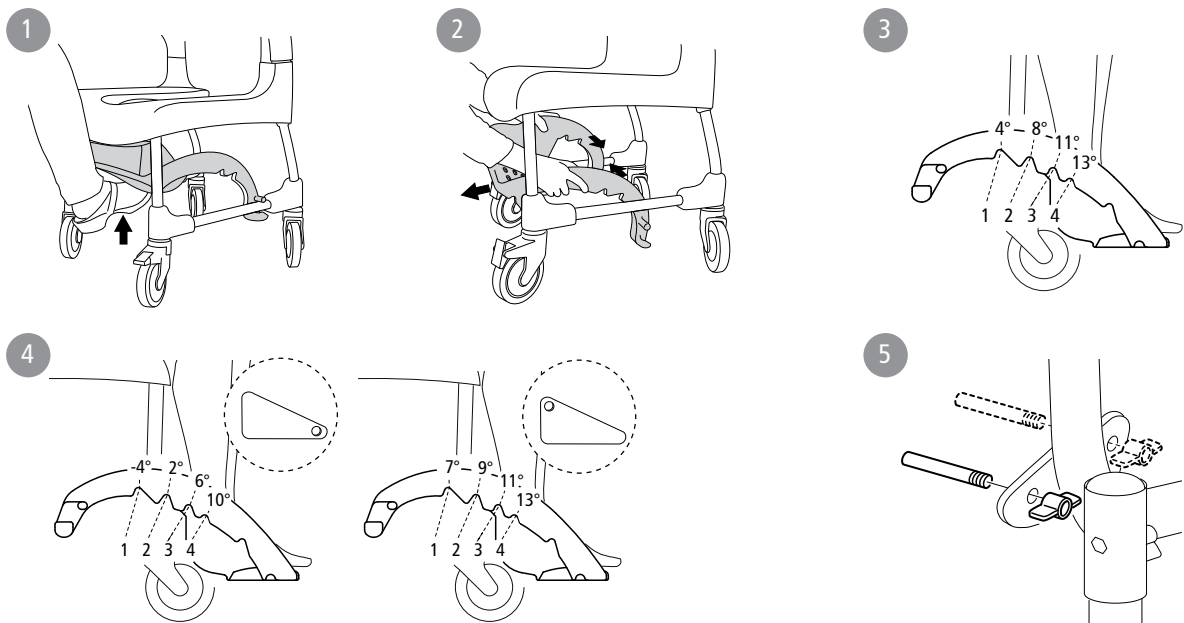
D

- 1

- 2


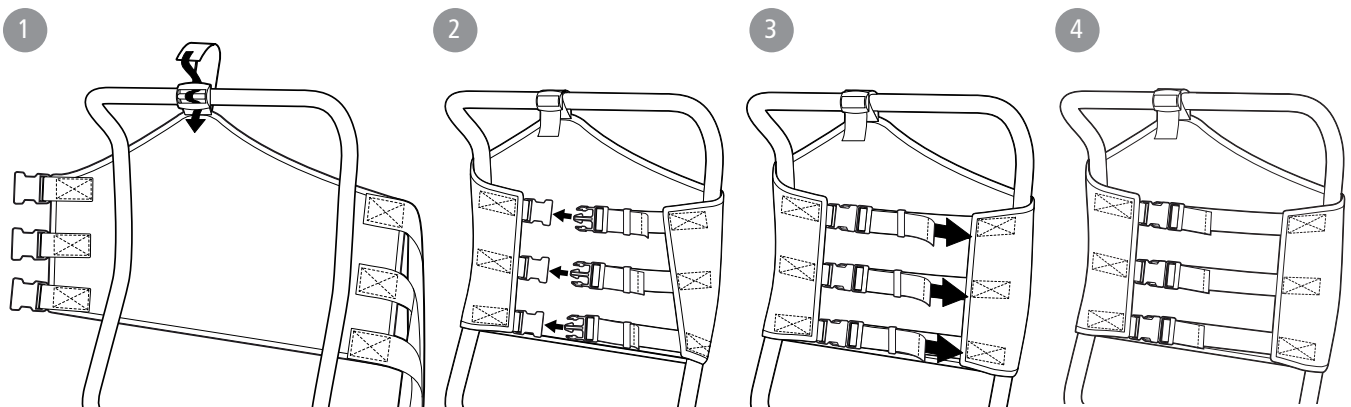
E



F



G



English

Clean
Clean 24"
Clean HRB

General

Thank you for choosing a shower chair from Etac.

In order to avoid injury during handling and use, please read through this manual first.

In the manual, the user is the person sitting in the chair. The carer is the person helping the user.

Intended use:

The Clean family is a range of mobile shower chairs and toilet chairs (hereafter called the product) intended for indoor use when performing hygiene tasks for people with restricted mobility. The product can be used in the shower, at a sink, or over the toilet, as well as for transfers to and from the hygiene room.

The product is intended for use in home environments and institutions.

The product is suitable for use in wet areas, but not pools or similar corrosive environments.

The product is intended to compensate for various types of injuries or disabilities that limit the mobility of the user.

The product is intended for adult users, generally persons who are at least 146 cm tall and weight at least 40 kg.

The product is not intended for any other use or environment beyond those stated above.

The product conforms to the requirements of the Medical Devices Regulation (EU) 2017/745.

The product has been tested and complies with the requirements set out in EN ISO 10993-1 and SS EN 12182.

Contra indications:

There are no known contraindications.



This symbol appears in the manual along with text. It indicates instances where the safety of the user or the assistant may be at risk.



The images which are referred to on each page are found at the start of the manual (pages 3 to 7). See Figures A to J for the corresponding text.

Item list: ● = Applies to, ○ = Accessories

See the item list on the right which displays the information applicable to each product.

This manual covers the following products:

Clean	●
Clean 24"	○
Clean HRB (Height adjustable)	●

Assembly upon delivery

The product is supplied with parts assembled with the exception of arm supports and footrests. Assemble as shown in figures D and F.

Product description & technical data

See Figure A

A1. Backrest **A2.** Armrest **A3.** Seat **A4.** Foot support **A5.** Castor wheel **A6.** Product label (warnings, CE-marking) **A7.** Item no label (serial no, production date)

A8. Rear wheel **A9.** User brake

A10. Height adjustment

Warranty / maintenance

See Figure B

5-year guarantee against material and manufacturing defects. For terms and conditions, see www.etac.com

Product lifetime:

Service life 7 years. For complete information regarding the service life of the product, see www.etac.com.

Maintenance:

Clean the product using a standard non-abrasive cleaning agent (pH between 5 and 9). Rinse and dry.

Disinfect the product with 70% disinfectant solution.

The product requires no other maintenance.

The product and its accessories can be safely cleaned at 85°C for 3 minutes (unless otherwise stated). This applies to reconditioning.

The product can be reconditioned. Refer to the reconditioning instructions on www.etac.com.

Constituent materials are resistant to common disinfectants.

Symbols:

B1. Clean the chair with ordinary non-abrasive detergent. Rinse and dry.

B2. The product can be cleaned at 85 ° for 3 minutes.

The following surface treatment methods have been used to protect against corrosion:

Lacquered surfaces = Polyester powder coating

Non-lacquered steel surfaces = Fe/Zn-Ni

Reuse:

The product is suitable for reuse. The number of times it can be reused depends on how often and in which way the product is used. Before reuse, thoroughly clean and disinfect the product and check its safety features. If necessary, take remedial action.

⚠ Safety

See Figure B



- A defective product must not be used.

In case of an adverse event occurred in relation to use of the device, it should be reported to your local dealer and the national competent authority in a timely manner. The local dealer will forward information to the manufacturer.

Symbols:

B3. Risk of pinching at armrest.

B4. Do not stand on the footrest, risk of tipping!

B5. Maximum user weight: 130 kg.

B6. Seating position affects the stability.

English

Clean	Clean 24"	Clean HRB
-------	-----------	-----------

Transfers See Figure C

Over a threshold:

- C1.** Chair only, push down on the wheel attachment.
- C2.** With occupant, pull the chair backwards.

In stationary position:

- C3.** Always lock as many castors as possible when the chair is to be used in a stationary position.
- C4.** Out-turned castors improve the chair's stability.

Transferring:

Assess the risks and take notes. You as a carer are responsible for the safety of the user. Aids should be used if the transfer is deemed as risky. Visit www.etac.com for manual transfer aids.

- C3-C4.** It is important to ensure that the castors are locked and pointing outward before carrying out transfers to and from Clean.
 - Remove the armrest on the transfer side of the chair.
- C5-C7.** Carry out the transfer.

●	●	●
---	---	---

Armrest See Figure D

- D1.** The armrests are swing away and detachable.
- D2.** The armrests are lockable.

●	●	●
---	---	---

Height adjustment See Figure E

- E1-3.** The height can be adjusted with ease by placing the screw in the required position.

Check that all four castors are similarly adjusted, otherwise stability will be reduced.

Do not use the chair if the wing nuts are loose.

●	●	●
---	---	---

Footrest See Figure F

- F1.** The carer can easily push in the footrest with their foot.
- F2.** The footrest is detachable.
- F3.** The footrest has 4 different angle and height settings.
- F4.** The footrest has 8 different angle and height settings.
- F5.** More adjustment options are available by moving the pin.

Remove the pins once the footrest has been removed.

When the chair is adjusted to a height of 47.5 cm, the lowest footrest position must not be used.

●	●	●
●	●	●
●	●	●
●	●	●

Backrest upholstery See Figure G

○	○	○
---	---	---

User brake See Figure H

○	●	○
---	---	---

English

Accessories See Figure I

The accessories section shows all the options that are available for your shower chair. Variations from standard can occur in different markets. Limitations in combinations of accessories may occur. For more information visit www.etac.com.

<i>See Figure I</i>	Clean	Clean 24"	Clean HRB	<i>See Figure I</i>	Clean	Clean 24"	Clean HRB
I1. Pan	<input type="radio"/>	<input type="radio"/>	<input type="radio"/>	I15. Trunk support	<input type="radio"/>	<input type="radio"/>	<input type="radio"/>
I2. Pan and lid with handle	<input type="radio"/>	<input type="radio"/>	<input type="radio"/>	I16. Heightening spacers	<input type="radio"/>	<input type="radio"/>	<input type="radio"/>
I3. Lid with handle	<input type="radio"/>	<input type="radio"/>	<input type="radio"/>	I17. Two 75 mm lockable castors	<input type="radio"/>	<input type="radio"/>	<input type="radio"/>
I4. Disposable pan	<input type="radio"/>	<input type="radio"/>	<input type="radio"/>	I18. Rear wheel adaptor	<input type="radio"/>	<input checked="" type="radio"/>	<input type="radio"/>
I5. Pan holder	<input type="radio"/>	<input type="radio"/>	<input type="radio"/>	I19. Soap dish	<input type="radio"/>	<input type="radio"/>	<input type="radio"/>
I6. Bucket holder	<input type="radio"/>	<input type="radio"/>	<input type="radio"/>	I20. Crossbar	<input type="radio"/>	<input type="radio"/>	<input type="radio"/>
I7. Disposable pan holder	<input type="radio"/>	<input type="radio"/>	<input type="radio"/>	I21. Legrest, angle adjustable	<input type="radio"/>	<input type="radio"/>	<input type="radio"/>
I8. Attachment for low mounting of pan/bucket	<input type="radio"/>	<input type="radio"/>	<input type="radio"/>	I22. Foot support, foldable and detachable	<input type="radio"/>	<input type="radio"/>	<input type="radio"/>
I9. Soft seat	<input type="radio"/>	<input type="radio"/>	<input type="radio"/>	I23. Backrest upholstery	<input type="radio"/>	<input type="radio"/>	<input type="radio"/>
I10. Comfort seat	<input type="radio"/>	<input type="radio"/>	<input type="radio"/>	I24. Safety belt	<input type="radio"/>	<input type="radio"/>	<input type="radio"/>
I11. Comfort cushion	<input type="radio"/>	<input type="radio"/>	<input type="radio"/>	I25. Positioning belt	<input type="radio"/>	<input type="radio"/>	<input type="radio"/>
I12. Comfort padding	<input type="radio"/>	<input type="radio"/>	<input type="radio"/>	I26. Chest harness belt	<input type="radio"/>	<input type="radio"/>	<input type="radio"/>
I13. Armrest cushion, pair	<input type="radio"/>	<input type="radio"/>	<input type="radio"/>	I27. Chest and hip positioning belts	<input type="radio"/>	<input type="radio"/>	<input type="radio"/>
I14. Soft back	<input type="radio"/>	<input type="radio"/>	<input type="radio"/>	I28.	<input type="radio"/>	<input type="radio"/>	<input type="radio"/>