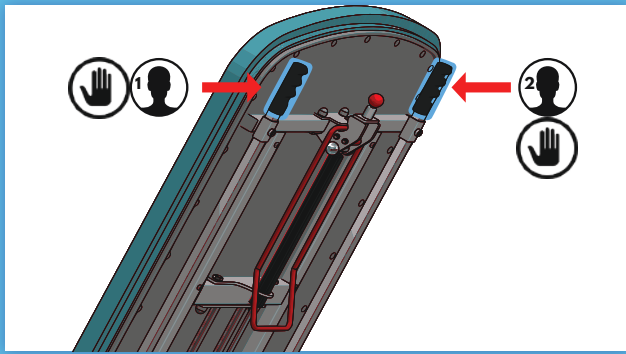


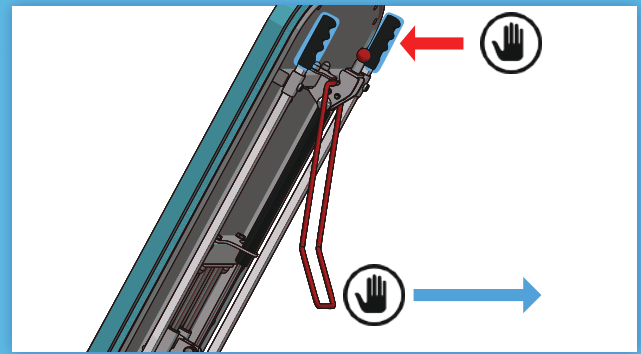
Step by Step Guide: Emergency Override (Tilt Table Pro)

For ST7645 & ST7645DL Tilt Table Pro.



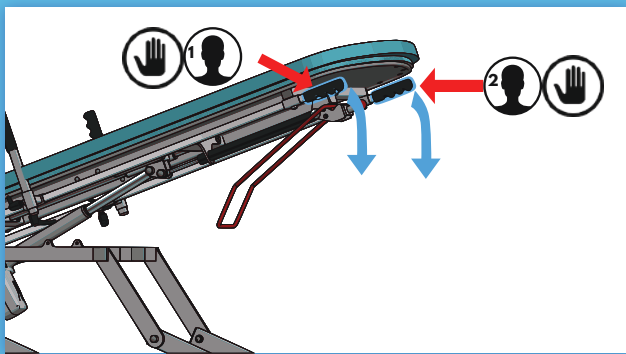
Step 1

Before operating the emergency release override, support the patient surface using the hand grips. *This may require 2 people.*



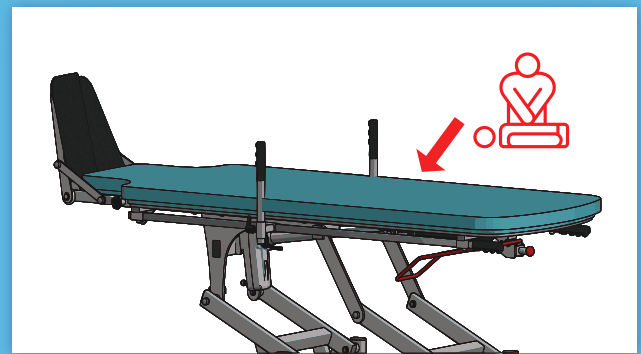
Step 2

Whilst supporting the tilt table, pull the red handle away from the patient surface to activate the emergency override. Once activated, you can let go of the red handle.



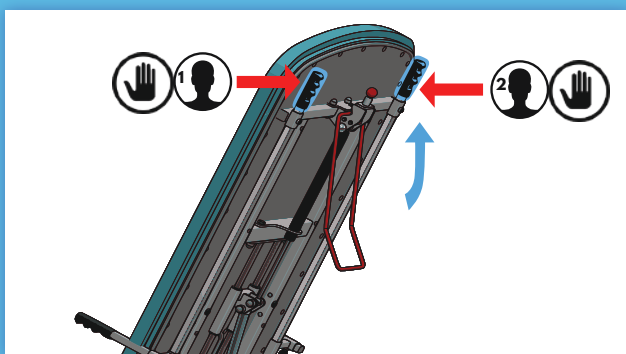
Step 3

Pull the Tilt Table down to horizontal using the hand grips or horizontal stainless steel bars. *This may require 2 people.*



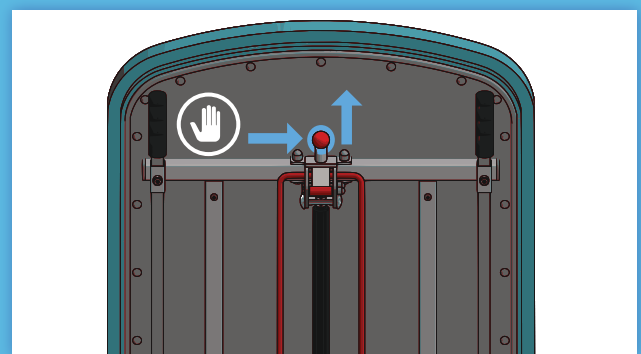
Step 4

Perform CPR if required, and/or dismount the patient.



Step 5 - IMPORTANT

Lift the table back to the position that it was in, before the emergency lever was activated. Use the hand grips as shown.



Step 6

Pull the red reset plunger upwards to reset the mechanism, and disengage the emergency override.



Step 7

The Tilt Table Pro can continue to be operated, using the Digital Display Handset. *To verify a successful reset, tilt the table to horizontal. The degrees on the Handset should show as 0°.*



+44 (0) 1728 861 590
info@seersmedical.com
www.seersmedical.com

SF 201 Issue 1: Emergency Override (Tilt Table Pro)

Approved by: S. REES

Date: 10/08/21